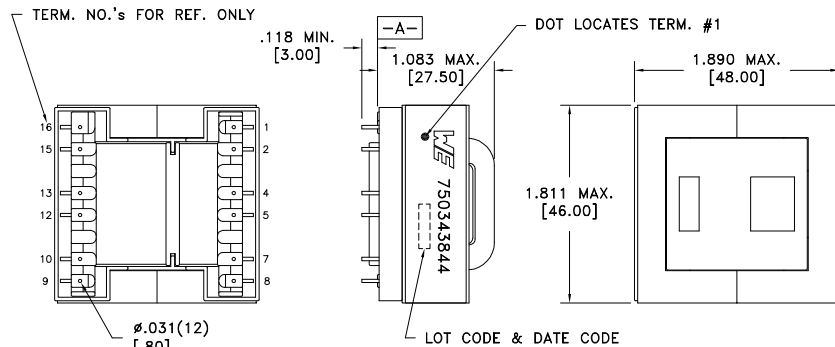
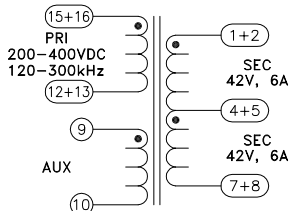


CUSTOMER TERMINAL	RoHS	LEAD(Pb)-FREE
Sn96%, Ag4%	Yes	Yes

more than you expect

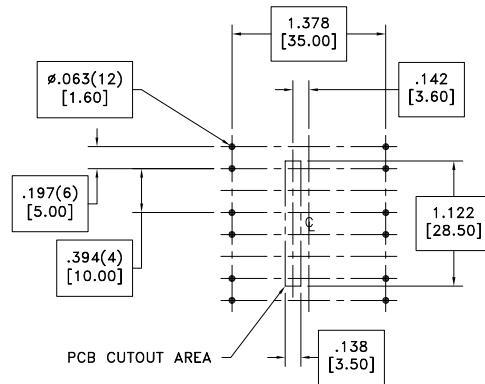


TERM. NO.'s FOR REF. ONLY  
 .118 MIN. [3.00]  
 1.083 MAX. [27.50]  
 1.890 MAX. [48.00]  
 1.811 MAX. [46.00]  
 1.378 [35.00]  
 DOT LOCATES TERM. #1  
 750343844  
 LOT CODE & DATE CODE  
 -A-  
 PART MUST INSERT FULLY TO SURFACE A IN RECOMMENDED GRID



Customer to tie terminals 1+2, 4+5, 7+8, 12+13 & 15+16 on PC board.

Application of the transformer allows for the leadwires between terminals 1&2, 4&5, 7&8, 12&13 and 15&16 to solder bridge.



PCB CUTOUT AREA  
 RECOMMENDED  
 P.C. PATTERN, COMPONENT SIDE

ELECTRICAL SPECIFICATIONS @ 25°C unless otherwise noted:

PARAMETER	TEST CONDITIONS	VALUE
D.C. RESISTANCE	15-12 tie(15+16, 12+13), @20°C	0.050 ohms max.
D.C. RESISTANCE	1-4 tie(1+2, 4+5), @20°C	0.020 ohms max.
D.C. RESISTANCE	4-7 tie(4+5, 7+8), @20°C	0.020 ohms max.
D.C. RESISTANCE	9-10 @20°C	0.120 ohms max.
INDUCTANCE	15-12 tie(15+16, 12+13), 60kHz, 100mVAC, Ls	220.00uH ±10%
LEAKAGE INDUCTANCE	15-12 tie(15+16, 12+13, 1+2+4+5), 60kHz, 100mVAC, Ls	50.0uH ±20%
LEAKAGE INDUCTANCE	15-12 tie(15+16, 12+13, 4+5+7+8), 60kHz, 100mVAC, Ls	50.0uH ±20%
DIELECTRIC	15-1 tie(15+16+9, 4+5), 3750VAC, 3 seconds	-
DIELECTRIC	15-Core tie(15+16+9), 2000VAC, 3 seconds	-
DIELECTRIC	1-Core tie(4+5), 1000VAC, 3 seconds	-
URNS RATIO	(15-12):(1-4), tie(15+16, 12+13, 1+2, 4+5)	4:1, ±2%
URNS RATIO	(15-12):(4-7), tie(15+16, 12+13, 4+5, 7+8)	4:1, ±2%
URNS RATIO	(15-12):(9-10), tie(15+16, 12+13)	12:1, ±2%

GENERAL SPECIFICATIONS:

OPERATING TEMPERATURE RANGE: -40°C to +125°C including temp rise.

Designed to comply with the following requirements as defined by IEC60950-1, EN60950-1, UL60950-1/CSA60950-1 and AS/NZS60950.1:

- Reinforced insulation for a primary circuit at a working voltage of 265Vrms, 400Vpeak, Overvoltage Category II.

Wire insulation & RoHS status not affected by wire color.  
 Wire insulation color may vary depending on availability.

REV.	DATE	Packaging Specifications Method: Tray PKG-1047 www.we-online.com/midcom		Tolerances unless otherwise specified: Angles: ±1° Decimals: ±.005 [.13] Fractions: ±1/64 Footprint: ±.001 [.03]	DRAWING TITLE <b>TRANSFORMER</b>	PART NO. <b>750343844</b>
6A	1/19	SEE REVISION SHEET FOR REVISION LEVEL	CONVENTION PLACEMENT	This drawing is dual dimensioned. Dimensions in brackets are in millimeters.	eiSos p/n: 750343844	compliant RoHS SPECIFICATION SHEET 1 OF 1