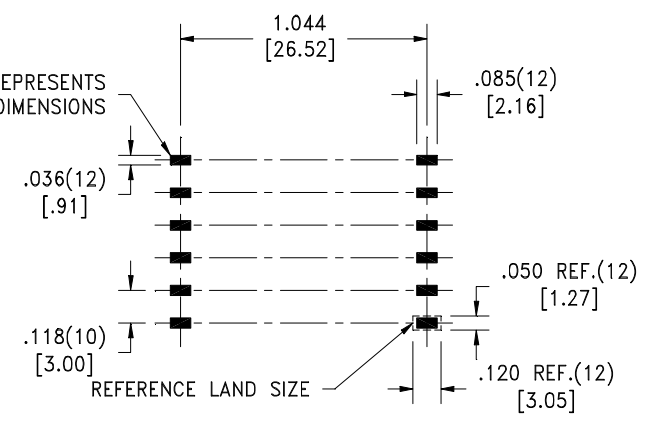
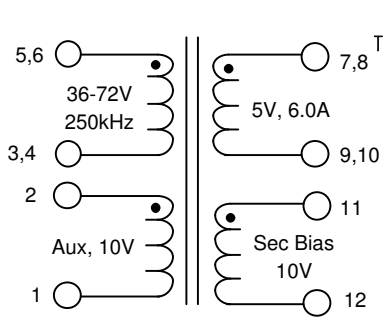
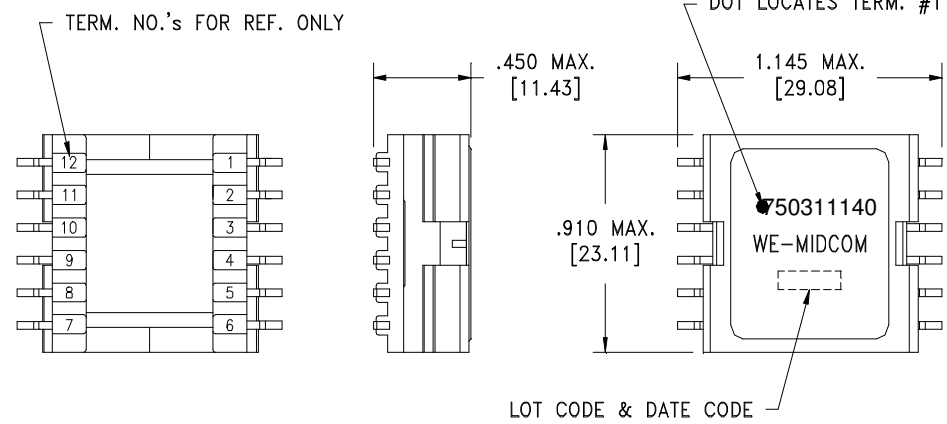


CUSTOMER TERMINAL	RoHS	LEAD(Pb)-FREE
Sn96%, Ag4%	Yes	Yes



CUSTOMER TO DETERMINE LAND LAYOUT

ELECTRICAL SPECIFICATIONS @ 25°C unless otherwise noted:

D.C. RESISTANCE (@20°C):	5-3 (tie 3+4,5+6), 0.120 Ohms max. 7-9 (tie 7+8,9+10), 0.016 Ohms max. 11-12, 1.100 Ohms max. 2-1, 1.200 Ohms max.
DIELECTRIC RATING:	1500VAC, 1 minute tested by applying 1875VAC for 1 second between pins 6-12(tie 2+3+4,9+10+11).
INDUCTANCE:	49.00µH ±10%, 250kHz, 100mVAC, 0mADC, 5-3, Ls.
SATURATION CURRENT:	6A saturating current that causes 20% rolloff from initial inductance.
LEAKAGE INDUCTANCE:	500nH typ., 1µH max., 100kHz, 100mVAC, 5-3(tie 3+4,5+6,2+1,7+8+9+10+11+12), Ls.
URNS RATIO:	(5-3):(7-9), (2.80):(1.00), ±1%. (5-3):(11-12), (1.47):(1.00), ±1%. (5-3):(2-1), (1.47):(1.00), ±1%.

WE-Midcom, Inc. Watertown, SD USA Toll Free: 800-643-2661 Fax: 605-886-4486	Unless otherwise specified, tolerances are as follows: Angles: ±1° Fractions: ±1/64 Decimals: ±.005 (.127mm)		WE-Midcom, Inc.	
	Drawing Title <h1>Transformer</h1>		Drawing Number <h2>750311140</h2>	Rev. 00
Revisions: See Sheet 1		Scale ----	Sheet 2 of 5	
Engineer:TST			04/27/2009	

This drawing is dual dimensioned.
Dimensions in brackets are in millimeters