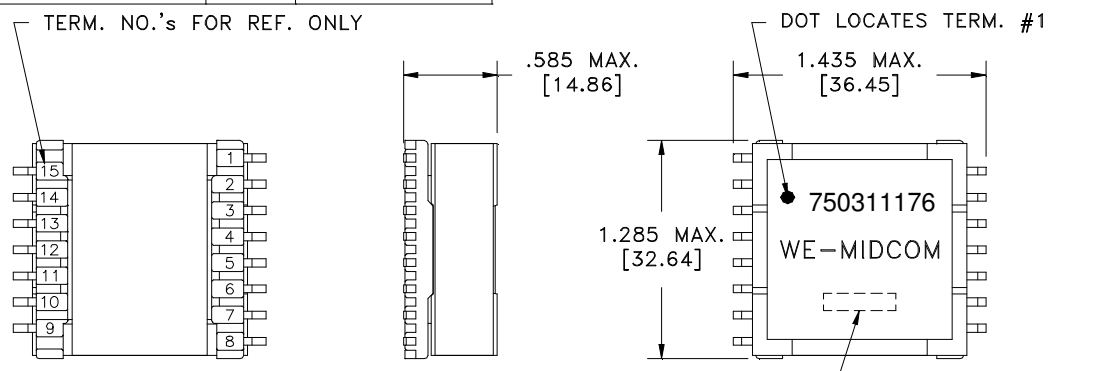
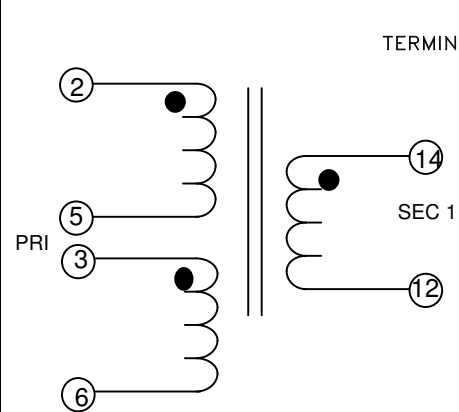


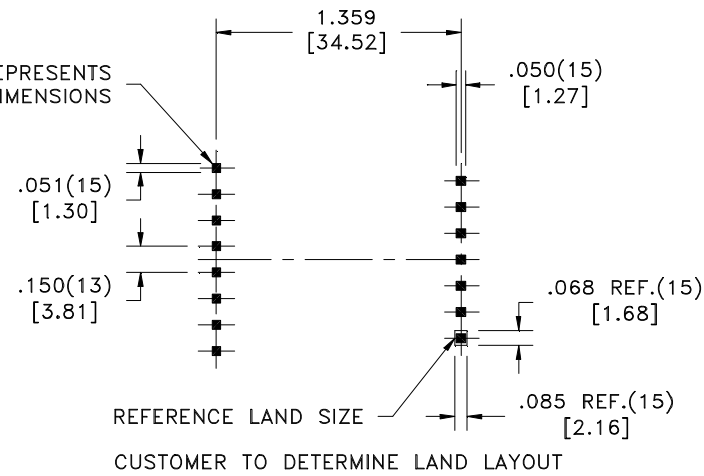
CUSTOMER TERMINAL	RoHS	LEAD(Pb)-FREE
Sn96%, Ag4%	Yes	Yes



Customer to tie terminals 2+3 and 5+6 on pcb.



AREA REPRESENTS TERMINAL PAD DIMENSIONS



**ELECTRICAL SPECIFICATIONS @ 25°C unless otherwise noted:**

D.C. RESISTANCE (@20°C):	2-6 (2+3,5+6), 0.0180 Ohms max. 12-14 , 0.55 Ohms max.
DIELECTRIC RATING:	500VAC, 1 minute tested by applying 625VAC for 1 second between pins 2-14. 500VAC, 1 minute tested by applying 625VAC for 1 second between pins 32-14.
INDUCTANCE:	5.0μH ±10%, 10kHz, 100mVAC, 0mADC, 2-6(2+3,5+6), Ls. 320μH ±10%, 10kHz, 100mVAC, 0mADC, 12-14, Ls.
LEAKAGE INDUCTANCE:	400nH max., 100kHz, 100mVAC, 2-4(2+3,5+6,12+14), Ls. 8μH max., 100kHz, 100mVAC, 12-14(2+3,5+6), Ls.
TURNS RATIO:	( 14-12 ):( 2-5 ), ( 8 ):(1.00), ±1%.

*Preliminary*

WE-Midcom, Inc. Watertown, SD USA Toll Free: 800-643-2661 Fax: 605-886-4486	Unless otherwise specified, tolerances are as follows: Angles: ±1°      Fractions: ±1/64 Decimals: ±.005(.127mm)		WE-Midcom, Inc.	
	Drawing Title <b>Transformer</b>		Drawing Number <b>750311176</b>	Rev. <b>00</b>
Revisions: See Sheet 1		Scale ----	Sheet 2 of 5	
Engineer:PLP		05/11/2009		

This drawing is dual dimensioned.  
Dimensions in brackets are in millimeters