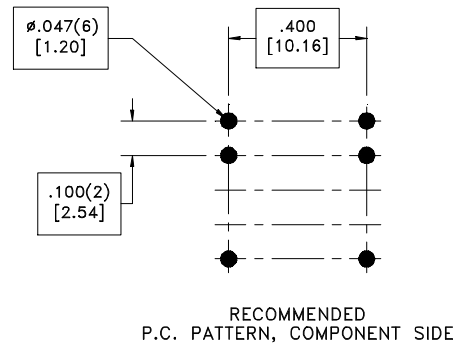
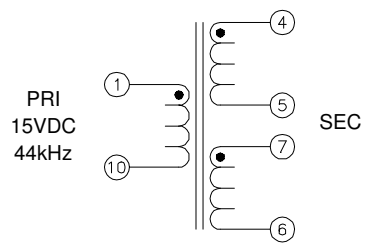
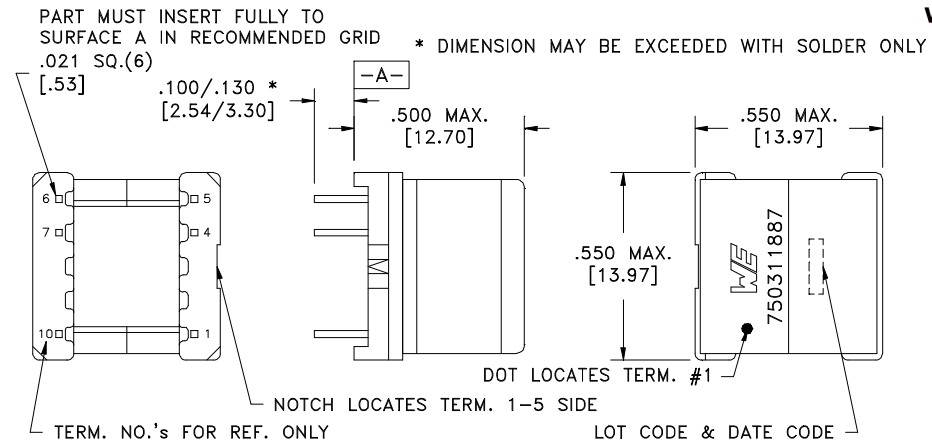


CUSTOMER TERMINAL	RoHS	LEAD(Pb)-FREE
Sn96%, Ag4%	Yes	Yes



ELECTRICAL SPECIFICATIONS @ 25°C unless otherwise noted:

- D.C. RESISTANCE (@20°C): 1-10, 0.630 Ohms ±10%.
 4-5, 0.740 Ohms ±10%.
 7-6, 0.855 Ohms ±10%.
- DIELECTRIC RATING: 1500VAC, 1 minute tested by applying 1500VAC for 1 second between pins 1-4(tie 5+7).
 500VDC, 1 minute tested by applying 625VDC for 1 second between pins 4-7.
- INDUCTANCE: 3.5mH min., 10kHz, 100mVAC, 0mADC, 1-10, Ls.
- LEAKAGE INDUCTANCE: 10µH max., 100kHz, 100mVAC, 1-10(tie 4+5+6+7), Ls.
- URNS RATIO: (1-10):(4-5), (1):(1.00), ±1%.
 (1-10):(7-6), (1):(1.00), ±1%.
- V-µsec RATING: 345V-µsec max., 1-10.

OPERATING TEMPERATURE RANGE: -40°C to +125°C including temp rise.

Safety Standard Undefined
 Wire insulation & RoHS status not affected by wire color. Wire insulation color may vary depending on availability.

WE-Midcom, Inc. Watertown, SD USA Toll Free: 800-643-2661 Fax: 605-886-4486	Unless otherwise specified, tolerances are as follows: Angles: ±1° Fractions: ±1/64 Decimals: ±.005(.127mm)	WE-Midcom, Inc.	
	Drawing Title <h1>Transformer</h1>	Drawing Number <h1>750311887</h1>	Rev. 00
This drawing is dual dimensioned. Dimensions in brackets are in millimeters	Revisions: See Sheet 1	Scale ----	Sheet 2 of 5
Engineer: EJK		08/25/2010	