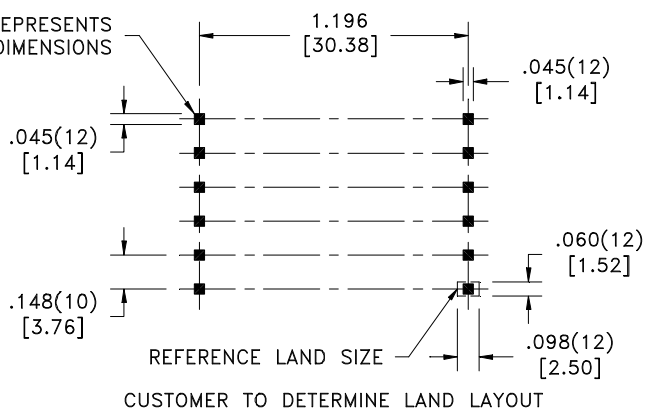
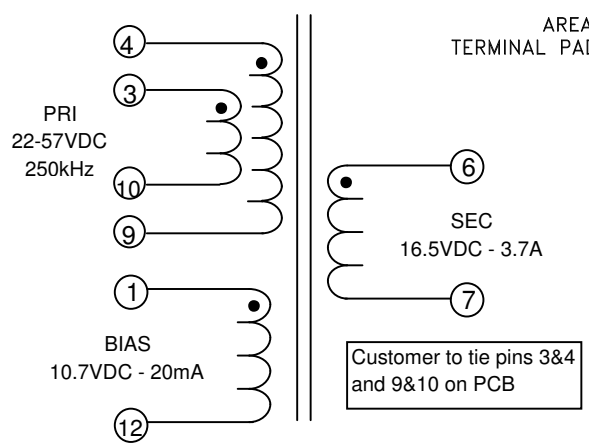
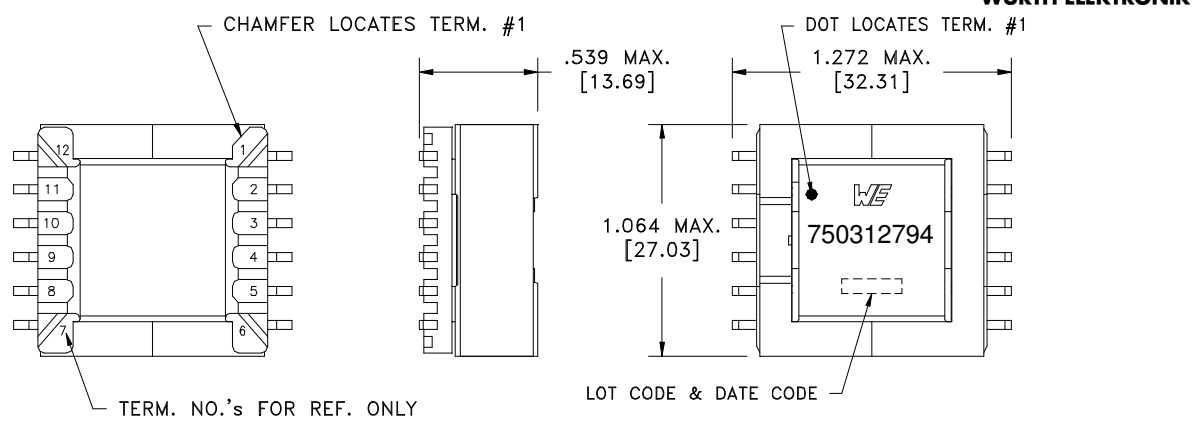


CUSTOMER TERMINAL	RoHS	LEAD(Pb)-FREE
Sn96%, Ag4%	Yes	Yes



ELECTRICAL SPECIFICATIONS @ 25°C unless otherwise noted:

D.C. RESISTANCE (@20°C):	6-7 , 0.045 Ohms ±20%.
	1-12 , 0.237 Ohms ±10%.
	4-9 (3+4, 9+10), 0.030 Ohms ±20%.
DIELECTRIC RATING:	1500VAC for 1 second between pins 1-3 (tie 9+10).
	1500VAC for 1 second between pins 6-3 (tie 9+10).
INDUCTANCE:	100.0 μH ±14%, 10kHz, 100mVAC, 0mADC, 4-9 (tie 3+4, 9+10), Ls.
LEAKAGE INDUCTANCE:	180nH nom., 360nH max., 100kHz, 50mVAC, 4-9 (tie 1+12, 3+4, 6+7, 9+10), Ls.
SATURATION CURRENT:	2.4ADC saturating current that causes 20% rolloff from initial inductance.
URNS RATIO:	(6-7):(4-9) , (1.187):(1.00) , tie(-) , ±1%.
	(6-7):(1-12) , (1.461):(1.00) , tie(-) , ±1%.
	(3-10):(4-9) , (1):(1.00) , tie(-) , ±1%.

Preliminary

OPERATING TEMPERATURE RANGE: -40°C to 85°C including temp. rise.
Safety Standard Undefined

T_0_4476

WE-Midcom, Inc. Watertown, SD USA Toll Free: 800-643-2661 Fax: 605-886-4486	Unless otherwise specified, tolerances are as follows: Angles: ±1° Fractions: ±1/64 Decimals: ±.005 (.127mm)		WE-Midcom, Inc.	
	Drawing Title Transformer		Drawing Number 750312794	Rev. 01
Revisions: See Sheet 1		Scale ----	Sheet 2 of 5	
Engineer:JJB			01/13/2012	

This drawing is dual dimensioned.
Dimensions in brackets are in millimeters