

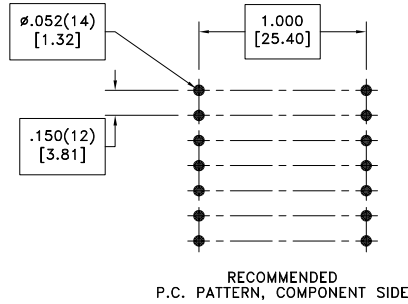
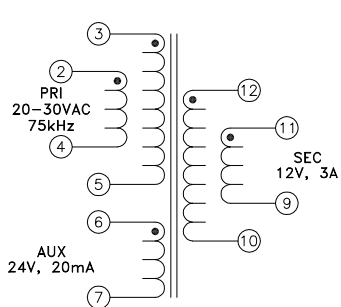
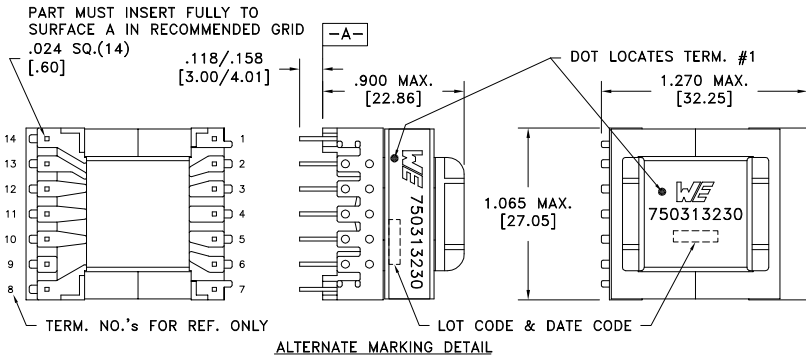
CUSTOMER TERMINAL	RoHS	LEAD(Pb)-FREE
Sn96%, Ag4%	Yes	Yes

more than you expect



ELECTRICAL SPECIFICATIONS @ 25°C unless otherwise noted:

PARAMETER	TEST CONDITIONS	VALUE
D.C. RESISTANCE	2-4 @20°C	0.045 ohms ±20%
D.C. RESISTANCE	3-5 @20°C	0.060 ohms ±20%
D.C. RESISTANCE	6-7 @20°C	0.130 ohms ±10%
D.C. RESISTANCE	9-11 @20°C	0.025 ohms max.
D.C. RESISTANCE	10-12 @20°C	0.025 ohms max.
INDUCTANCE	tie(2+3, 4+5), 10kHz, 100mVAC, Ls	20uH ±10%
SATURATION CURRENT	20% rolloff from initial	13.4A
LEAKAGE INDUCTANCE	2-4 tie(2+3, 4+5, 6+7, 9+10+11+12), 100kHz, 50mVAC, Ls	400nH typ., 800nH max.
DIELECTRIC	2-12 tie(4+5+6, 9+10), 2500VAC, 1 second	2500VAC, 1 minute
DIELECTRIC	5-6 tie(2+3), 625VAC, 1 second	500VAC, 1 minute
TURNS RATIO	(2-4):(3-5)	1:1, ±1%
TURNS RATIO	(2-4):(6-7)	1:1, ±1%
TURNS RATIO	(2-4):(12-10)	2:1, ±1%
TURNS RATIO	(2-4):(11-9)	2:1, ±1%



Customer to connect 2+3, 4+5, 9+10 and 11+12 on PCB.

Application of the transformer allows for the leadwires between terminals 2+3 and 4+5 to solder bridge.

GENERAL SPECIFICATIONS:

OPERATING TEMPERATURE RANGE: -40°C to +125°C including temp rise.

Designed to comply with the following requirements as defined by IEC61558-2-16:
- Reinforced insulation for a primary circuit at a working voltage of 100VDC.

Wire insulation & RoHS status not affected by wire color.
Wire insulation color may vary depending on availability.

REV.	DATE	Packaging Specifications	CONVENTION PLACEMENT
6A	6/15	Method: Tray PKG-0737 www.we-online.com/midcom	SEE REVISION SHEET FOR REVISION LEVEL

Tolerances unless otherwise specified:
Angles: ±1°
Fractions: ±1/64
Decimals: ±.005 [0.13]
Footprint: ±.001 [0.03]

This drawing is dual dimensioned. Dimensions in brackets are in millimeters.

DRAWING TITLE
TRANSFORMER

eiSos p/n: 750313230

compliant RoHS

PART NO.
750313230

SPECIFICATION SHEET 1 OF 1