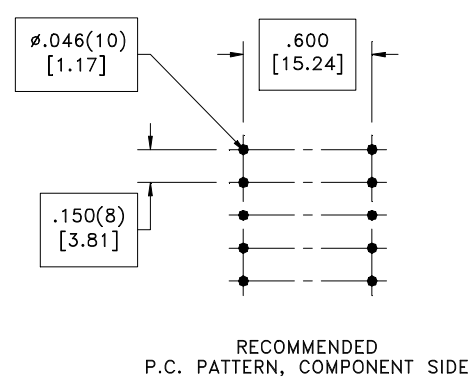
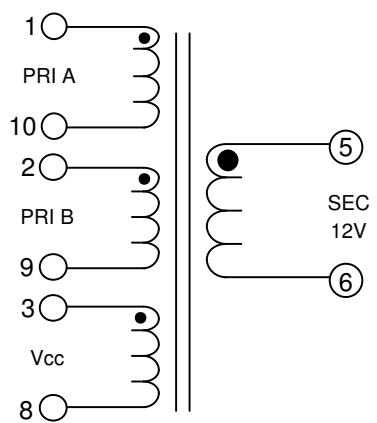
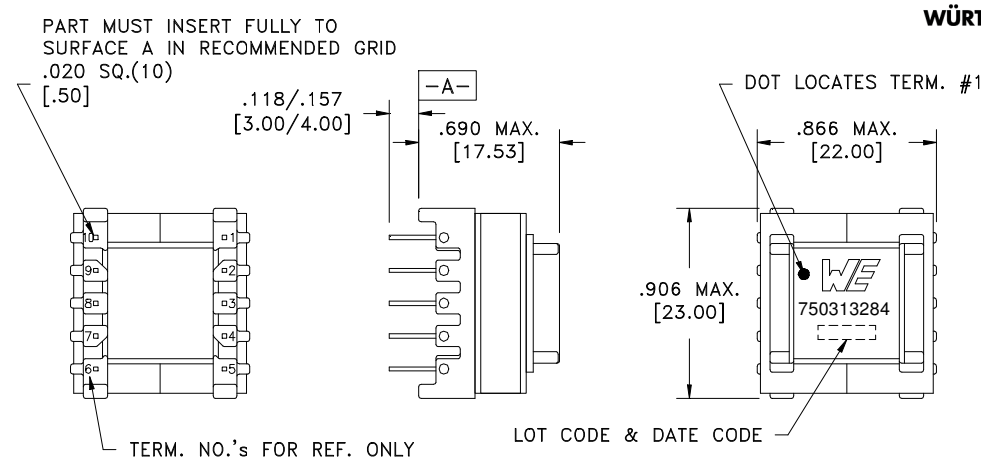


CUSTOMER TERMINAL	RoHS	LEAD(Pb)-FREE
Sn96%, Ag4%	Yes	Yes



ELECTRICAL SPECIFICATIONS @ 25°C unless otherwise noted:

D.C. RESISTANCE (@20°C):	1-10 , 0.200 Ohms ±10%. 2-9 , 0.240 Ohms ±10%. 3-8 , 0.040 Ohms max. 5-6 , 0.020 Ohms max.
DIELECTRIC RATING:	2000VAC, 1 minute tested by applying 2500VAC for 1 second between pins 1-5(tie 8+9+10). 500VAC, 1 minute tested by applying 625VAC for 1 second between pins 1-3(tie 9+10).
INDUCTANCE:	750µH ±10%, 10kHz, 100mVAC, 0mADC, 1-9(tie 2+10), Ls.
SATURATION CURRENT:	775mA saturating current that causes 20% rolloff from initial inductance.
LEAKAGE INDUCTANCE:	7µH typ, 14µH max, 100kHz, 100mVAC, 1-9(tie 2+10, 3+8, 5+6), Ls.
URNS RATIO:	(1-10):(2-9) , (1):(1.00) , ±1%. (1-10):(3-8) , (5):(1.00) , ±1%. (1-10):(5-6) , (5):(1.00) , ±1%.

OPERATING TEMPERATURE RANGE: -40°C to 125°C including temp. rise.
Safety Standard Undefined

WE-Midcom, Inc. Watertown, SD USA Toll Free: 800-643-2661 Fax: 605-886-4486	Unless otherwise specified, tolerances are as follows: Angles: ±1° Fractions: ±1/64 Decimals: ±.005(.127mm)		WE-Midcom, Inc.	
	Drawing Title Transformer		Drawing Number 750313284	Rev. 00
Revisions: See Sheet 1		Scale ----	Spec Sheet 1 of 1	
Engineer:LJG			05/30/2012	

This drawing is dual dimensioned.
Dimensions in brackets are in millimeters