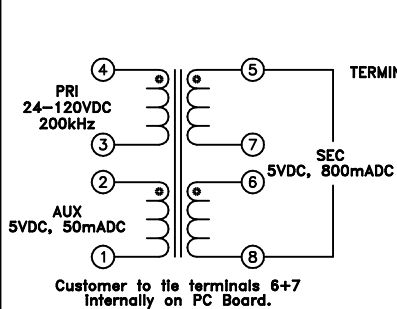
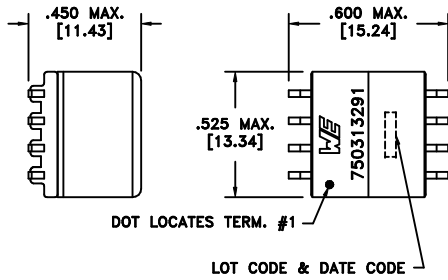
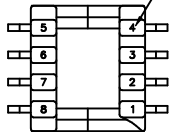


CUSTOMER TERMINAL	RoHS	LEAD(Pb)-FREE
Sn96%, Ag4%	Yes	Yes

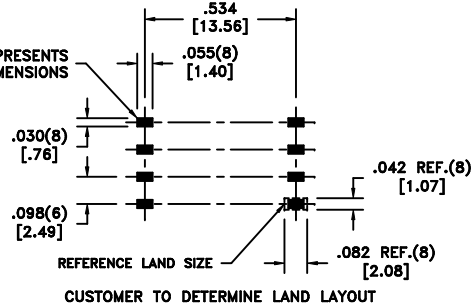
more than you expect



TERM. NO.'s FOR REF. ONLY



AREA REPRESENTS TERMINAL PAD DIMENSIONS



ELECTRICAL SPECIFICATIONS @ 25°C unless otherwise noted:

PARAMETER	TEST CONDITIONS	VALUE
D.C. RESISTANCE	4-3 @20°C	0.485 ohms ±10%
D.C. RESISTANCE	2-1 @20°C	0.315 ohms ±10%
D.C. RESISTANCE	5-8 tie(6+7), @20°C	0.040 ohms max.
INDUCTANCE	4-3 100kHz, 100mVAC, Ls	275.0uH ±10%
SATURATION CURRENT	20% rolloff from initial	740mA
LEAKAGE INDUCTANCE	4-3 tie(1+2, 5+6+7+8), 100kHz, 100mVAC, Ls	5uH max.
DIELECTRIC	4-5 tie(2+3, 7+8), 1500VAC, 1 second	1500VAC, 1 minute
DIELECTRIC	4-2 500VAC, 1 second	500VAC, 1 minute
URNS RATIO	(4-3):(2-1)	4.14:1, ±2%
URNS RATIO	(4-3):(5-7)	8.29:1, ±2%
URNS RATIO	(4-3):(6-8)	8.29:1, ±2%
URNS RATIO	(4-3):(5-8), tie(6+7)	4.14:1, ±2%

GENERAL SPECIFICATIONS:

OPERATING TEMPERATURE RANGE: -40°C to +125°C including temp rise.

Safety Standard Undefined.

Wire insulation & RoHS status not affected by wire color.
Wire insulation color may vary depending on availability.

DETAILS SUBJECT TO CHANGE

REV.	DATE	Packaging Specifications Method: Tape & Reel PKG-0328 www.we-online.com/midcom		Tolerances unless otherwise specified: Angles: ±1° Decimals: ±.005 [.13] Fractions: ±1/64 Footprint: ±.005 [.13]	DRAWING TITLE TRANSFORMER	PART NO. 750313291
6A	7/12	SEE REVISION SHEET FOR REVISION LEVEL	CONVENTION PLACEMENT	This drawing is dual dimensioned. Dimensions in brackets are in millimeters.	eiSos p/n: 750313291	compliant RoHS SPECIFICATION SHEET 1 OF 1