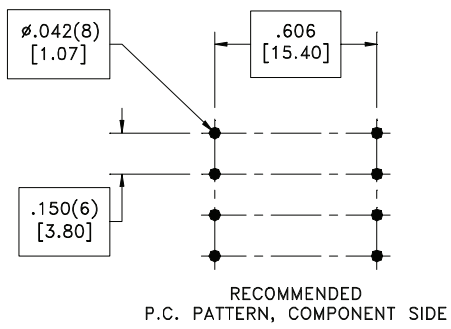
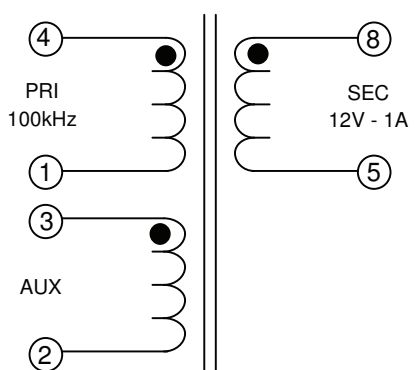
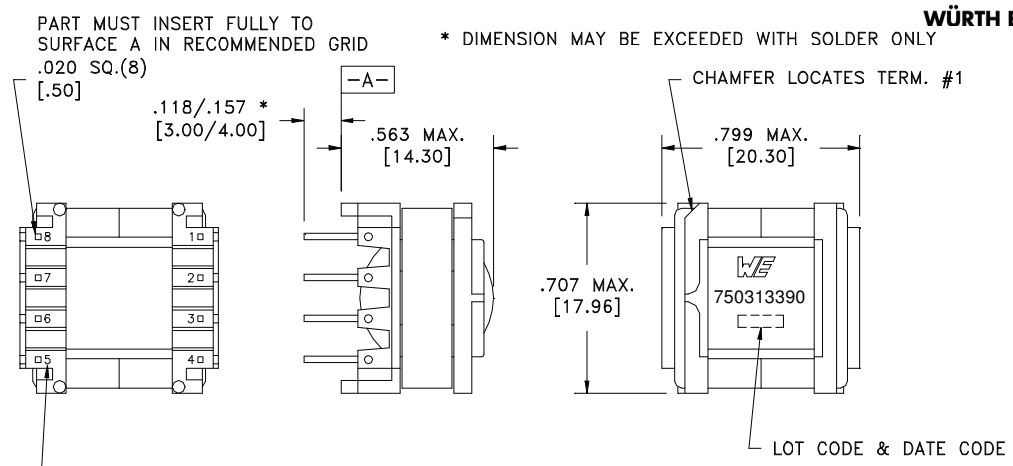


CUSTOMER TERMINAL	RoHS	LEAD(Pb)-FREE
Sn96%, Ag4%	Yes	Yes



**ELECTRICAL SPECIFICATIONS @ 25°C unless otherwise noted:**

D.C. RESISTANCE (@20°C):	1-4 , 2.75 Ohms ±10%. 2-3 , 0.025 Ohms max. 5-8 , 0.025 Ohms max.
DIELECTRIC RATING:	2000VAC, 1 minute tested by applying 2500VAC for 1 second between pins 1-8(tie 3+4). 500VAC, 1 minute tested by applying 625VAC for 1 second between pins 1-2.
INDUCTANCE:	1.85 mH ±10%, 10kHz, 100mVAC, 0mADC, 1-4, Ls.
SATURATION CURRENT:	325mA saturating current that causes 20% rolloff from initial inductance.
LEAKAGE INDUCTANCE:	25µH typ, 50µH max, 100kHz, 100mVAC, 1-4(tie 2+3, 5+8), Ls.
URNS RATIO:	( 4-1 ):( 3-2 ) , ( 14.28 ):(1.00) , ±1%. ( 4-1 ):( 8-5 ) , ( 14.28 ):(1.00) , ±1%.

OPERATING TEMPERATURE RANGE: -40°C to 125°C including temp. rise.  
Safety Standard Undefined

<b>WE-Midcom, Inc.</b> Watertown, SD USA Toll Free: 800-643-2661 Fax: 605-886-4486	Unless otherwise specified, tolerances are as follows: Angles: ±1°      Fractions: ±1/64 Decimals: ±.005(.127mm)		<b>WE-Midcom, Inc.</b>	
	Drawing Title <h1>Transformer</h1>		Drawing Number <h2>750313390</h2>	Rev. 00
Revisions: See Sheet 1		Scale ----	Spec Sheet 1 of 1	
This drawing is dual dimensioned. Dimensions in brackets are in millimeters			Engineer:LJG      12/30/2013	