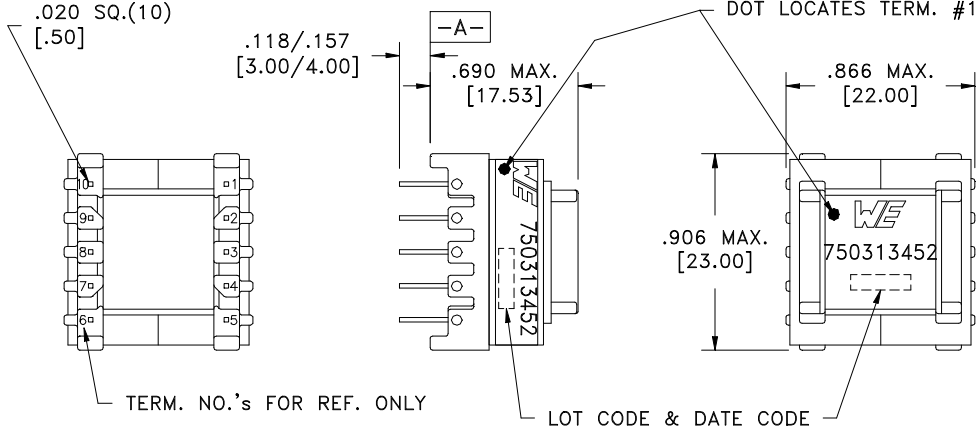


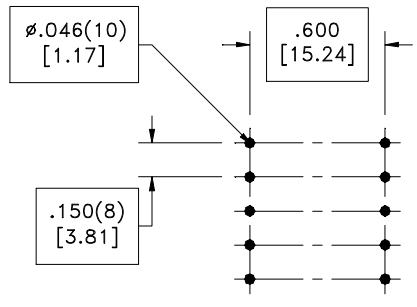
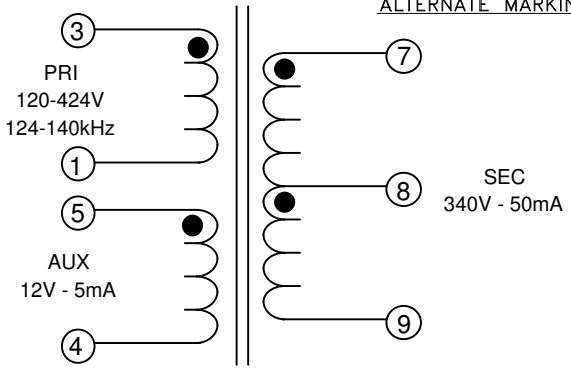
CUSTOMER TERMINAL	RoHS	LEAD(Pb)-FREE
Sn96%, Ag4%	Yes	Yes



PART MUST INSERT FULLY TO SURFACE A IN RECOMMENDED GRID .020 SQ.(10) [.50]



ALTERNATE MARKING DETAIL



RECOMMENDED P.C. PATTERN, COMPONENT SIDE

**ELECTRICAL SPECIFICATIONS @ 25°C unless otherwise noted:**

- D.C. RESISTANCE (@20°C): 1-3 , 0.270 Ohms ±10%.  
4-5 , 0.110 Ohms ±10%.  
7-9 , 6.78 Ohms ±10%.
- DIELECTRIC RATING: 1000VAC, 1 minute tested by applying 1250VAC for 1 second between pins 1-9(tie 3+4).  
500VAC, 1 minute tested by applying 625VAC for 1 second between pins 1-5.
- INDUCTANCE: 300µH ±10%, 10kHz, 100mVAC, 0mADC, 1-3, Ls.
- SATURATION CURRENT: 2.1A saturating current that causes 20% rolloff from initial inductance.
- LEAKAGE INDUCTANCE: 3µH typ, 6µH max, 100kHz, 100mVAC, 1-3(tie 4+5, 7+8+9), Ls.
- URNS RATIO: ( 8-9 ):( 7-8 ), ( 1 ):(1.00), ±1%.  
( 7-9 ):( 3-1 ), ( 4 ):(1.00), ±1%.  
( 7-9 ):( 5-4 ), ( 12 ):(1.00), ±1%.

OPERATING TEMPERATURE RANGE: -40°C to 125°C including temp. rise.  
Designed for functional isolation

WE-Midcom, Inc. Watertown, SD USA Toll Free: 800-643-2661 Fax: 605-886-4486	Unless otherwise specified, tolerances are as follows: Angles: ±1°      Fractions: ±1/64 Decimals: ±.005(.127mm)		WE-Midcom, Inc.	
	Drawing Title <b>Transformer</b>		Drawing Number <b>750313452</b>	Rev. <b>00</b>
Revisions: See Sheet 1		Scale ----	Spec Sheet 1 of 1	
Engineer:LJG		08/13/2012		

This drawing is dual dimensioned.  
Dimensions in brackets are in millimeters