

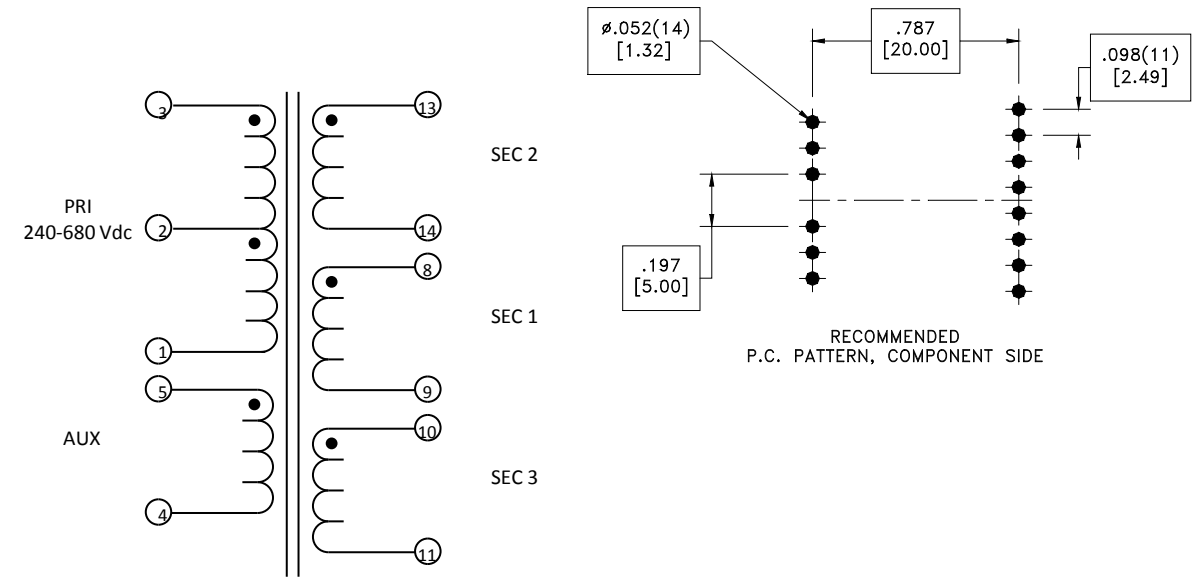
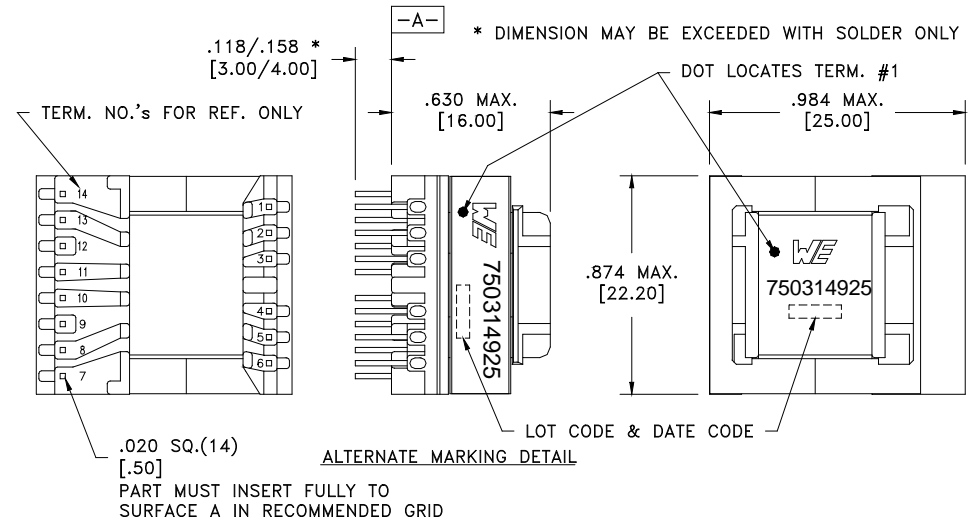
CUSTOMER TERMINAL	RoHS	LEAD(Pb)--FREE
Sn 96%, Ag 4%	Yes	Yes



Midcom

ELECTRICAL SPECIFICATIONS @ 25° C unless otherwise noted:

PARAMETER	TEST CONDITIONS	VALUE
D.C. RESISTANCE	1-3 @20°C	12.10 ohms ±10%
D.C. RESISTANCE	4-5 @20°C	3.10 ohms ±10%
D.C. RESISTANCE	8-9 @20°C	0.083 ohms ±20%
D.C. RESISTANCE	10-11 @20°C	0.083 ohms ±20%
D.C. RESISTANCE	13-14 @20°C	0.548 ohms ±10%
INDUCTANCE	1-3 10KHz, 100mV, Ls	10 mH ±10%
SATURATION CURRENT	1-3 20% rolloff from initial	240mA
LEAKAGE INDUCTANCE	1-3 tie(4+5, 8-14), 100KHz, 100mV, Ls	82µH typ., 150µH max.
DIELECTRIC	1-14 tie(3+4, 9+10+13), 3500VAC, 1 second	
DIELECTRIC	8-14 2000VAC, 1 second	
DIELECTRIC	1-5 625VAC, 1 second	
URNS RATIO	(2-1):(3-2)	1:1, ±1%
URNS RATIO	(3-1):(5-4)	4.49:1, ±1%
URNS RATIO	(3-1):(8-9)	20:1, ±1%
URNS RATIO	(3-1):(10-11)	20:1, ±1%
URNS RATIO	(3-1):(13-14)	6.67:1, ±1%



GENERAL SPECIFICATIONS:

OPERATING TEMPERATURE RANGE: -40°C to +125°C including temp rise.

Designed to meet 8kV (1.2x50µsec) surge test

Designed to comply with the following requirements as defined by EN50178:
 - Reinforced insulation for a primary circuit at a working voltage of 680Vpeak

Wire insulation & RoHS status not affected by wire color. Wire insulation color may vary depending on availability.

DFM		Packaging Specifications Method: Tray PKG-0736	 CONVENTION PLACEMENT	Tolerances unless otherwise specified: Angles: ±1° Decimals: ±.005 [.13] Fractions: ±1/64 Footprint: ±.001 [.03]	DRAWING TITLE TRANSFORMER	PART NO. 750314925
DATE				This drawing is dual dimensioned. Dimensions in brackets are in millimeters.		
ENG	LJG					
REV.	00					
DATE	7/15/2014	www.we-online.com/midcom				SPECIFICATION SHEET 1 OF 1