

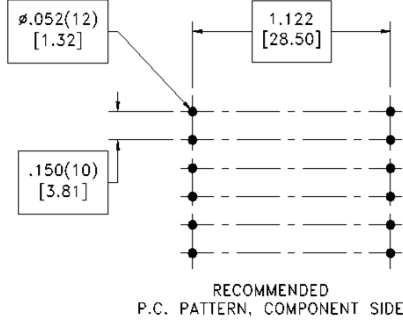
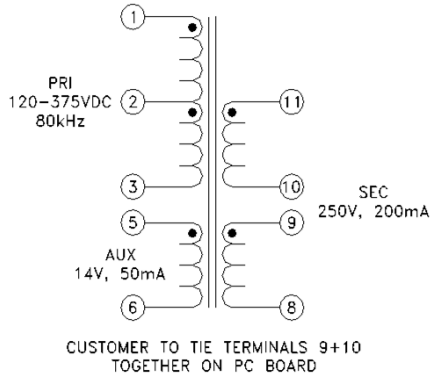
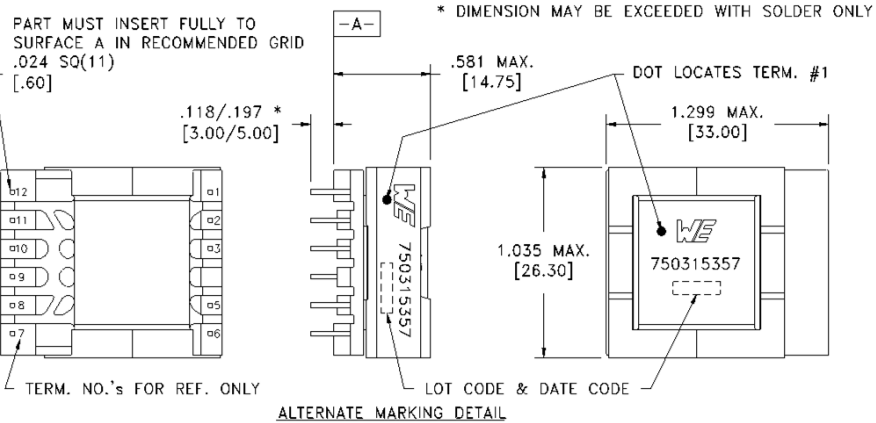
CUSTOMER TERMINAL	RoHS	LEAD(Pb)--FREE
Sn 96%, Ag 4%	Yes	Yes

more than you expect



**ELECTRICAL SPECIFICATIONS @ 25° C unless otherwise noted:**

PARAMETER	TEST CONDITIONS	VALUE
D.C. RESISTANCE	9-8 @20°C	0.267 ohms ±10%
D.C. RESISTANCE	5-6 @20°C	0.027 ohms ±20%
D.C. RESISTANCE	11-10 @20°C	0.288 ohms ±10%
D.C. RESISTANCE	1-3 @20°C	0.343 ohms ±10%
INDUCTANCE	1-3 10kHz, 100mV, Ls	400µH ±10%
SATURATION CURRENT	1-3 20% rolloff from initial @100°C	1.8A
LEAKAGE INDUCTANCE	1-3 tie(5+6, 8+9+10+11), 100kHz, 100mV, Ls	3.0µH max.
DIELECTRIC	1-11 tie(3+5, 9+10), 4000VAC, 1 second	4000VAC, 1 minute
TURNS RATIO	(1-3):(5-6)	14.67:1, ±1%
TURNS RATIO	(1-3):(11-8), tie(9+10)	1:1, ±1%



Update footprint to show terminal 4 removed

**GENERAL SPECIFICATIONS:**

OPERATING TEMPERATURE RANGE: -40°C to +125°C including temp rise.  
 Designed to comply with the following requirements as defined by IEC61558-2-16:  
 - Reinforced insulation for a primary circuit at a working voltage of 400VDC.

Preliminary

Wire insulation & RoHS status not affected by wire color. Wire insulation color may vary depending on availability.

DFM	SP	Packaging Specifications		Tolerances unless otherwise specified: Angles: ±1°    Decimals: ±.005 [.13] Fractions: ±1/64    Footprint: ±.001 [.03]	<b>DRAWING TITLE</b>  <b>TRANSFORMER</b>	<b>PART NO.</b>  <b>750315357</b>
DATE	2/3/2015	Method: Tray		This drawing is dual dimensioned. Dimensions in brackets are in millimeters.		
ENG	JJB	PKG-0924	www.we-online.com/midcom			
REV.	00					
DATE	2/19/2015					