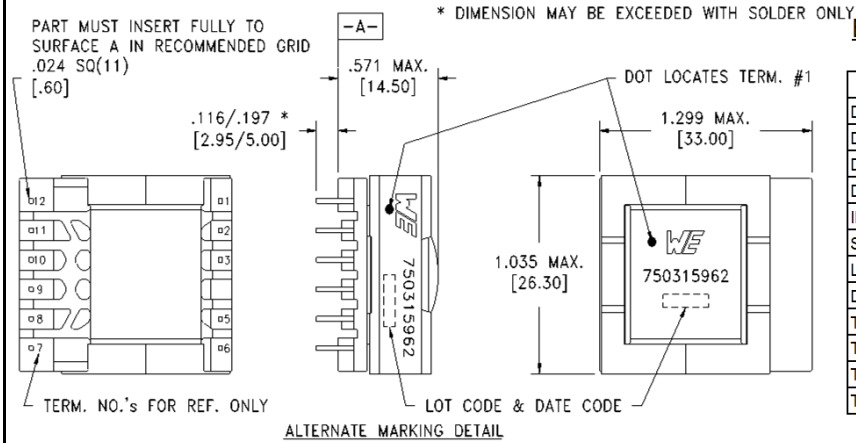


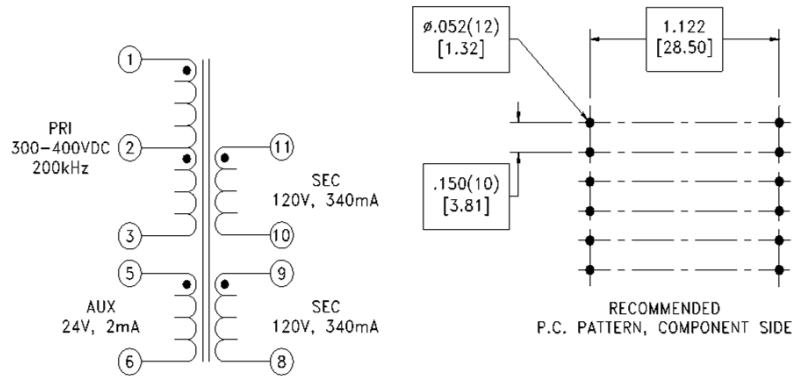
CUSTOMER TERMINAL	RoHS	LEAD(Pb)--FREE
Sn 96%, Ag 4%	Yes	Yes

more than you expect



**ELECTRICAL SPECIFICATIONS @ 25° C unless otherwise noted:**

PARAMETER	TEST CONDITIONS	VALUE
D.C. RESISTANCE	9-8 @20°C	0.255 ohms ±10%
D.C. RESISTANCE	5-6 @20°C	0.027 ohms ±20%
D.C. RESISTANCE	11-10 @20°C	0.276 ohms ±10%
D.C. RESISTANCE	1-3 @20°C	0.249 ohms ±10%
INDUCTANCE	1-3 10kHz, 100mV, Ls	536µH ±10%
SATURATION CURRENT	1-3 20% rolloff from initial	1.4A
LEAKAGE INDUCTANCE	1-3 tie(5+6, 8+9+10+11), 100kHz, 100mV, Ls	5.0µH max.
DIELECTRIC	1-11 tie(3+5, 9+10), 4000VAC, 1 second	4000VAC, 1 minute
URNS RATIO	(1-3):(5-6)	14.67:1, ±1%
URNS RATIO	(1-3):(11-8), tie(9+10)	1.22:1, ±1%
URNS RATIO	(9-8):(11-10)	1:1, ±1%
URNS RATIO	(1-2):(2-3)	1:1, ±1%



**GENERAL SPECIFICATIONS:**

OPERATING TEMPERATURE RANGE: -40°C to +125°C including temp rise.  
 Designed to comply with the following requirements as defined by IEC61558-2-16:  
 - Reinforced insulation for a primary circuit at a working voltage of 400VDC.

REFERENCE DESIGN

Wire insulation & RoHS status not affected by wire color. Wire insulation color may vary depending on availability.

DFM	SP	Packaging Specifications	 CONVENTION PLACEMENT	Tolerances unless otherwise specified: Angles: ±1°    Decimals: ±.005 [.13] Fractions: ±1/64    Footprint: ±.001 [.03]	DRAWING TITLE <b>TRANSFORMER</b>	PART NO. <b>750315962</b>
DATE	12/4/2015	Method: Tray		This drawing is dual dimensioned. Dimensions in brackets are in millimeters.		
ENG	JJB	PKG-0924				
REV.	01					
DATE	10/11/2016	www.we-online.com/midcom				SPECIFICATION SHEET 1 OF 1