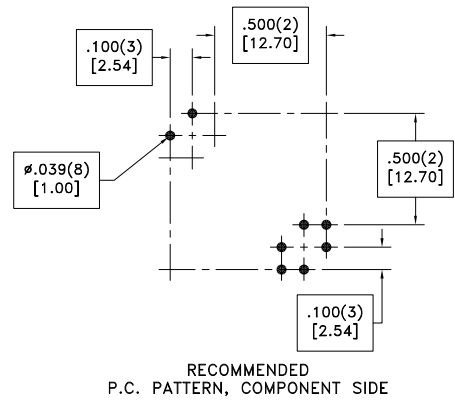
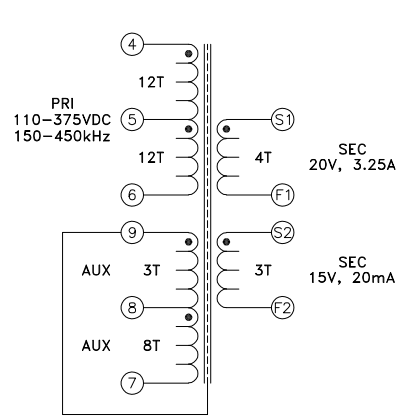
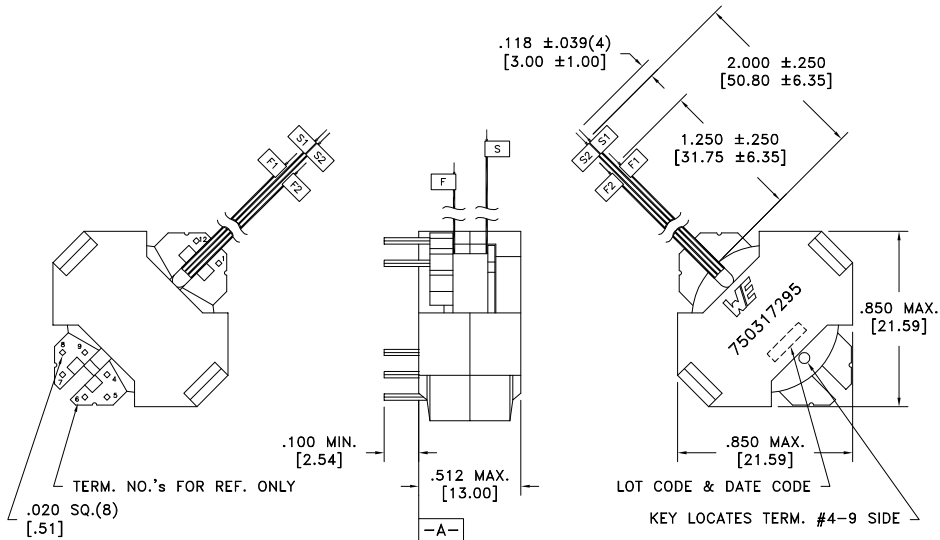


CUSTOMER TERMINAL	RoHS	LEAD(Pb)-FREE
Sn96%, Ag4%	Yes	Yes



ELECTRICAL SPECIFICATIONS @ 25°C unless otherwise noted:

PARAMETER	TEST CONDITIONS	VALUE
D.C. RESISTANCE	4-6 @20°C	0.152 ohms ±10%
D.C. RESISTANCE	7-8 @20°C	0.335 ohms ±10%
D.C. RESISTANCE	8-9 @20°C	0.068 ohms ±20%
D.C. RESISTANCE	S1-F1 @20°C	0.016 ohms ±20%
D.C. RESISTANCE	S2-F2 @20°C	0.312 ohms ±10%
INDUCTANCE	4-6 10kHz, 100mVAC, Ls	120uH ±10%
SATURATION CURRENT	4-6 20% rolloff from initial	4.5A
LEAKAGE INDUCTANCE	4-6 tie(8+9, S1+S2+F1+F2), 100kHz, 100mVAC, Ls	4.0uH typ., 7.0uH max.
INTERWINDING CAPACITANCE	6-F2 tie(4+5+6+8+9, S1+S2+F1+F2), 100kHz, 10mVAC, Cs	25.0pF typ.
DIELECTRIC	6-F2 tie(4+9, S1+S2), 3750VAC, 1 second	3000VAC, 1 minute
TURNS RATIO	(4-6):(8-7)	3:1, ±1%
TURNS RATIO	(4-6):(9-8)	8:1, ±1%
TURNS RATIO	(4-6):(S1-F1)	6:1, ±1%
TURNS RATIO	(4-6):(S2-F2)	8:1, ±1%



GENERAL SPECIFICATIONS:

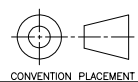
OPERATING TEMPERATURE RANGE: -40°C to +125°C including temp rise.

Designed to comply with the following requirements as defined by IEC60950-1, EN60950-1, UL60950-1/CSA60950-1 and AS/NZS60950.1:

- Reinforced insulation for a primary circuit at a working voltage of 265Vrms, 400Vpeak, Overvoltage Category II.

Wire insulation & RoHS status not affected by wire color.  
 Wire insulation color may vary depending on availability.

REV.	DATE	Packaging Specifications
		Method: Tray PKG-1137 <a href="http://www.we-online.com/midcom">www.we-online.com/midcom</a>
6A	6/19	SEE REVISION SHEET FOR REVISION LEVEL



Tolerances unless otherwise specified:  
 Angles: ±1°  
 Fractions: ±1/64  
 Decimals: ±.005 [1.3]  
 Footprint: ±.001 [0.3]

This drawing is dual dimensioned. Dimensions in brackets are in millimeters.

DRAWING TITLE  
**TRANSFORMER**

eiSos p/n: 750317295

PART NO.  
**750317295**

compliant RoHS

SPECIFICATION SHEET 1 OF 1