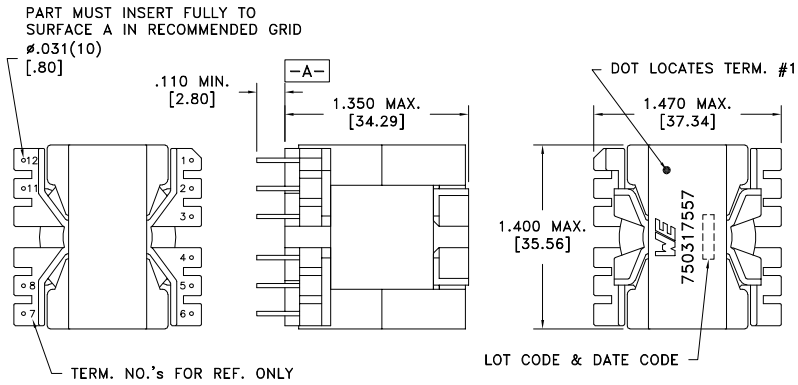


CUSTOMER TERMINAL	RoHS	LEAD(Pb)-FREE
Sn96%, Ag4%	Yes	Yes

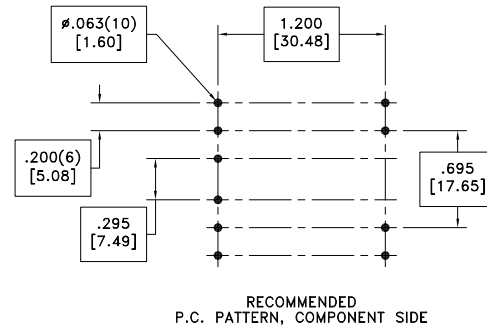
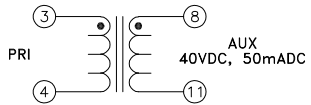


ELECTRICAL SPECIFICATIONS @ 25°C unless otherwise noted:

PARAMETER	TEST CONDITIONS	VALUE
D.C. RESISTANCE	3-4 @20°C	0.070 ohms $\pm$ 10%
D.C. RESISTANCE	8-11 @20°C	0.073 ohms $\pm$ 10%
INDUCTANCE	3-4 10kHz, 100mVAC, Ls	175.0uH $\pm$ 10%
SATURATION CURRENT	3-4 20% rolloff from initial	17.5A
DIELECTRIC	3-8 1875VAC, 1 second	1500VAC, 1 minute
TURNS RATIO	(3-4):(8-11)	10:1, $\pm$ 1%

GENERAL SPECIFICATIONS:

OPERATING TEMPERATURE RANGE: -40°C to +125°C including temp rise.



Wire insulation & RoHS status not affected by wire color.  
Wire insulation color may vary depending on availability.

REV.	DATE	Packaging Specifications Method: Tray PKG-0825 www.we-online.com/midcom		Tolerances unless otherwise specified: Angles: $\pm$ 1° Fractions: $\pm$ 1/64 Decimals: $\pm$ .005 [.13] Footprint: $\pm$ .001 [.03]	DRAWING TITLE <b>INDUCTOR</b>	PART NO. <b>750317557</b>
6A	4/20	SEE REVISION SHEET FOR REVISION LEVEL	CONVENTION PLACEMENT	This drawing is dual dimensioned. Dimensions in brackets are in millimeters.	eiSos p/n: 750317557	SPECIFICATION SHEET 1 OF 1