

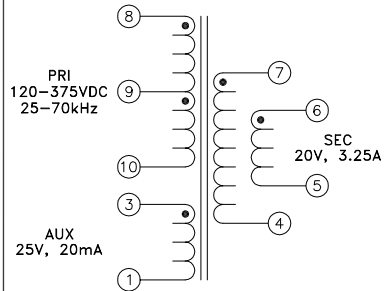
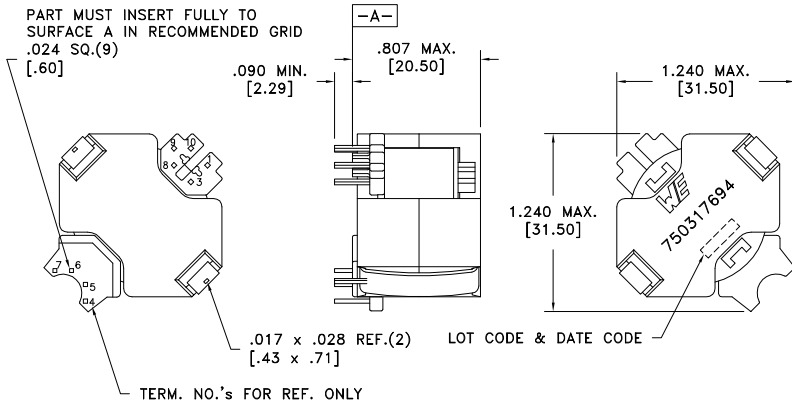
CUSTOMER TERMINAL	RoHS	LEAD(Pb)-FREE
Sn96%, Ag4%	Yes	Yes

more than you expect



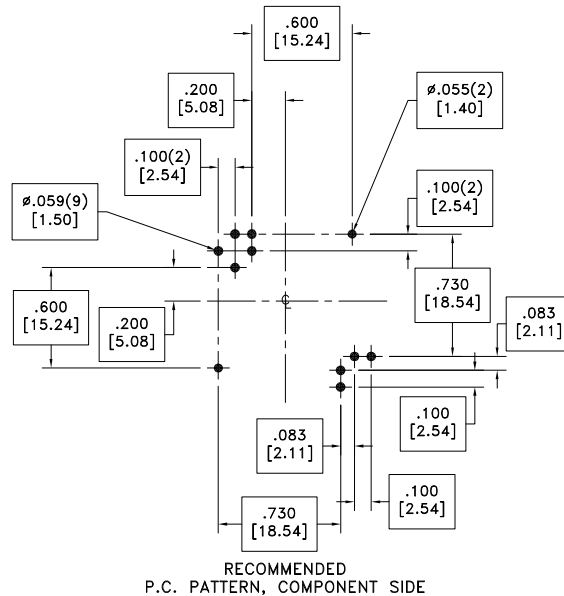
ELECTRICAL SPECIFICATIONS @ 25°C unless otherwise noted:

PARAMETER	TEST CONDITIONS	VALUE
D.C. RESISTANCE	8-10 @20°C	0.200 ohms ±10%
D.C. RESISTANCE	3-1 @20°C	0.060 ohms ±20%
D.C. RESISTANCE	7-4 tie(4+5, 6+7), @20°C	0.020 ohms max.
INDUCTANCE	8-10 1kHz, 100mVAC, Ls	510uH ±10%
SATURATION CURRENT	8-10 20% rolloff from initial	2.5A
LEAKAGE INDUCTANCE	8-10 tie(1+3, 4+5+6+7), 100kHz, 100mVAC, Ls	2.6uH typ., 5.0uH max.
DIELECTRIC	10-7 tie(3+8, 4+5), 3750VAC, 1 second	3000VAC, 1 minute
DIELECTRIC	10-1 625VAC, 1 second	500VAC, 1 minute
URNS RATIO	(8-10):(7-4), tie(4+5, 6+7)	4.75:1, ±1%
URNS RATIO	(3-1):(7-4), tie(4+5, 6+7)	1.25:1, ±1%



Customer to tie terminals 4+5 and 6+7 on PC board.

Application of the transformer allows for the leadwires between terminals 4&5 and 6&7 to solder bridge.



GENERAL SPECIFICATIONS:

OPERATING TEMPERATURE RANGE: -40°C to +125°C including temp rise.

Designed to comply with the following requirements as defined by IEC60950-1, EN60950-1, UL60950-1/CSA60950-1 and AS/NZS60950.1:  
 - Reinforced insulation for a primary circuit at a working voltage of 285Vrms, 400Vpeak, Overvoltage Category II, Pollution Degree 2.

Wire insulation & RoHS status not affected by wire color.  
 Wire insulation color may vary depending on availability.

REV.	DATE	Packaging Specifications	CONVENTION PLACEMENT
		Method: Tray PKG-1175 www.we-online.com/midcom	
6A	1/19	SEE REVISION SHEET FOR REVISION LEVEL	

Tolerances unless otherwise specified:  
 Angles: ±1°  
 Fractions: ±1/64  
 Decimals: ±.005 [.13]  
 Footprint: ±.001 [.03]  
 This drawing is dual dimensioned. Dimensions in brackets are in millimeters.

DRAWING TITLE  
**TRANSFORMER**  
 eiSos p/n: 750317694

PART NO.  
**750317694**  
 SPECIFICATION SHEET 1 OF 1