

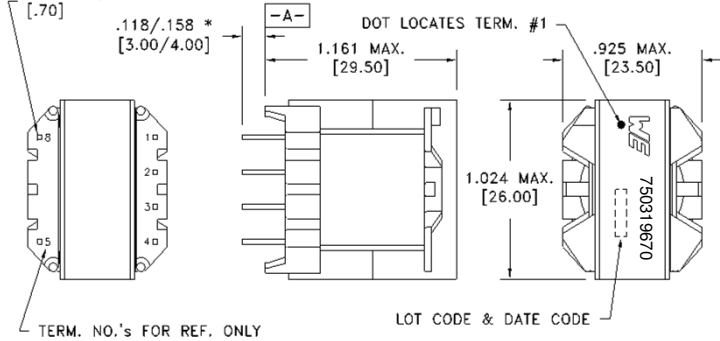
CUSTOMER TERMINAL	RoHS	LEAD(Pb)--FREE
Sn 96%, Ag 4%	Yes	Yes

more than you expect



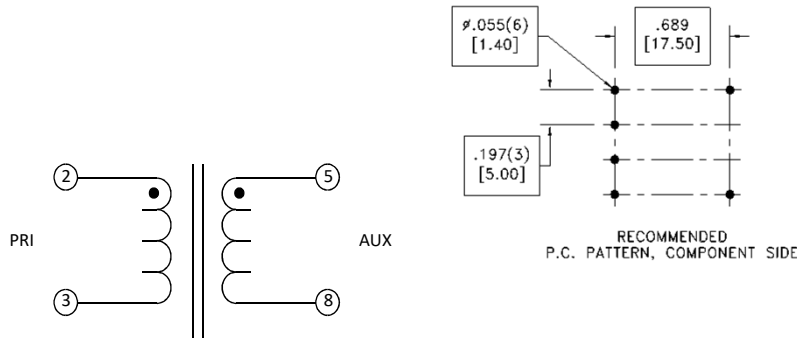
PART MUST INSERT FULLY TO SURFACE A IN RECOMMENDED GRID .028 SO.(6)

* DIMENSION MAY BE EXCEEDED WITH SOLDER ONLY



ELECTRICAL SPECIFICATIONS @ 25° C unless otherwise noted:

PARAMETER	TEST CONDITIONS	VALUE
D.C. RESISTANCE	2-3 @20°C	0.080 ohms ±20%
D.C. RESISTANCE	5-8 @20°C	0.027 ohms ±25%
INDUCTANCE	2-3 10kHz, 100mV, Ls	115.00µH ±10%
SATURATION CURRENT	2-3 20% rolloff from initial	10.3A
LEAKAGE INDUCTANCE	2-3 tie(5+8),100kHz, 100mV, Ls	30µH max.
DIELECTRIC	2-8 1250VAC, 1 second	
URNS RATIO	(2-3):(5-8)	10:1



GENERAL SPECIFICATIONS:

OPERATING TEMPERATURE RANGE: -40°C to +125°C including temp rise.

Wire insulation & RoHS status not affected by wire color. Wire insulation color may vary depending on availability. Marking method, font and color may vary on preproduction samples.

DFM	Packaging Specifications	 CONVENTION PLACEMENT	Tolerances unless otherwise specified: Angles: ±1° Decimals: ±.005 [.13] Fractions: ±1/64 Footprint: ± .001 [.03]	DRAWING TITLE INDUCTOR	PART NO. 750319670
DATE	Method: Tray				
ENG	LJG	PKG-0824	This drawing is dual dimensioned. Dimensions in brackets are in millimeters.		
REV.	00				
DATE	9/24/2021	www.we-online.com/midcom			SPECIFICATION SHEET 1 OF 1