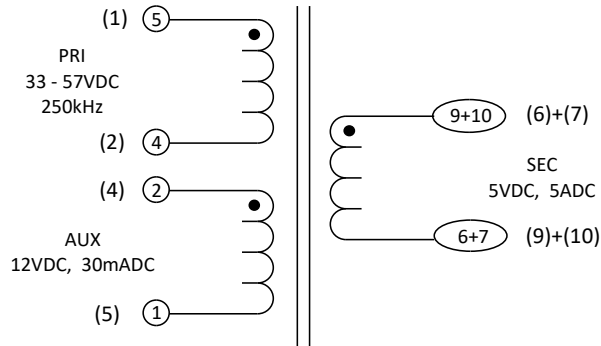
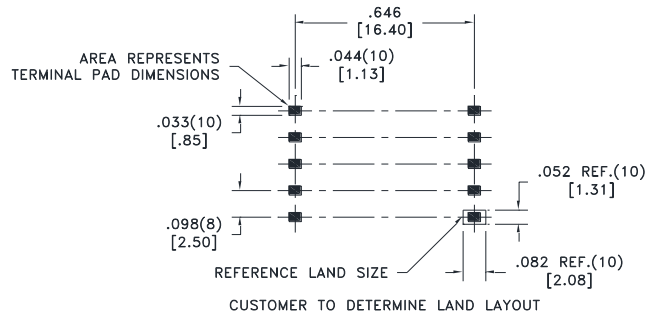
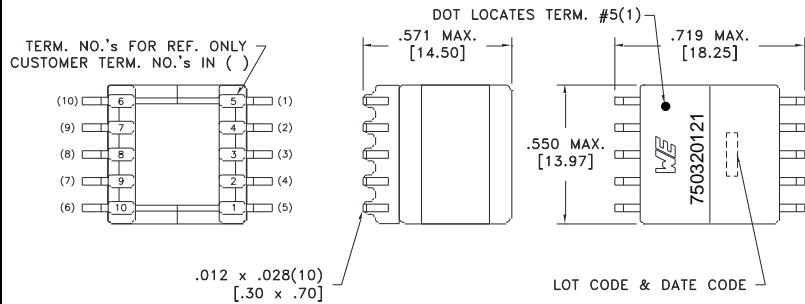


CUSTOMER TERMINAL	RoHS	LEAD(Pb)--FREE
Sn 96%, Ag 4%	Yes	Yes



ELECTRICAL SPECIFICATIONS @ 25° C unless otherwise noted:

PARAMETER	TEST CONDITIONS	VALUE
D.C. RESISTANCE	5-4 @20°C	0.063 ohms ±10%
D.C. RESISTANCE	2-1 @20°C	0.084 ohms ±10%
D.C. RESISTANCE	10-6 tie(6+7,9+10), @20°C	0.007 ohms max.
INDUCTANCE	5-4 100kHz, 100mV, Ls	100µH ±10%
LEAKAGE INDUCTANCE	5-4 tie(6+7+9+10),100kHz, 100mV, Ls	440nH typ., 650nH max.
DIELECTRIC	5-10 tie(2+4,6+7), 1500VAC, 1 second	
DIELECTRIC	5-2 625VAC, 1 second	
TURNS RATIO	(5-4):(10-6), tie(6+7,9+10)	4:1
TURNS RATIO	(5-4):(2-1)	1.78:1



GENERAL SPECIFICATIONS:

OPERATING TEMPERATURE RANGE: -40°C to +125°C including temp rise.

Application of the transformer allows for the leadwires between terminals 6&7 and 9&10 to solder bridge.

Customer to tie terminals 6+7 and 9+10 on PC board.

Wire insulation & RoHS status not affected by wire color. Wire insulation color may vary depending on availability. Marking method, font and color may vary on preproduction samples.

DFM	SP	Packaging Specifications	<p>CONVENTION PLACEMENT</p>	Tolerances unless otherwise specified: Angles: ±1° Decimals: ±.005 [.13] Fractions: ±1/64 Footprint: ±.005 [.13]	DRAWING TITLE	PART NO.
DATE	4/25/2022	Method: Tape & Reel		<p>This drawing is dual dimensioned. Dimensions in brackets are in millimeters.</p>	<p>TRANSFORMER</p>	<p>750320121</p>
ENG	EJK	PKG-1053				
REV.	01					
DATE	6/2/2022	www.we-online.com/midcom				SPECIFICATION SHEET 1 OF 1