

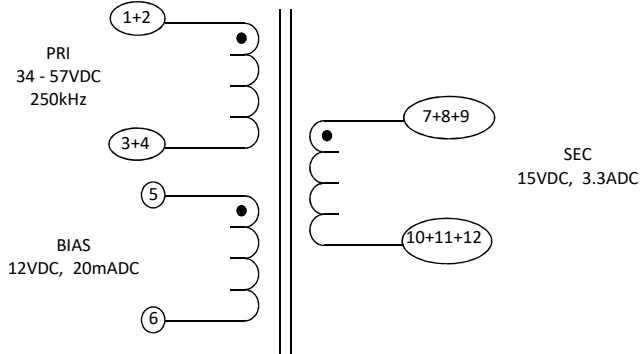
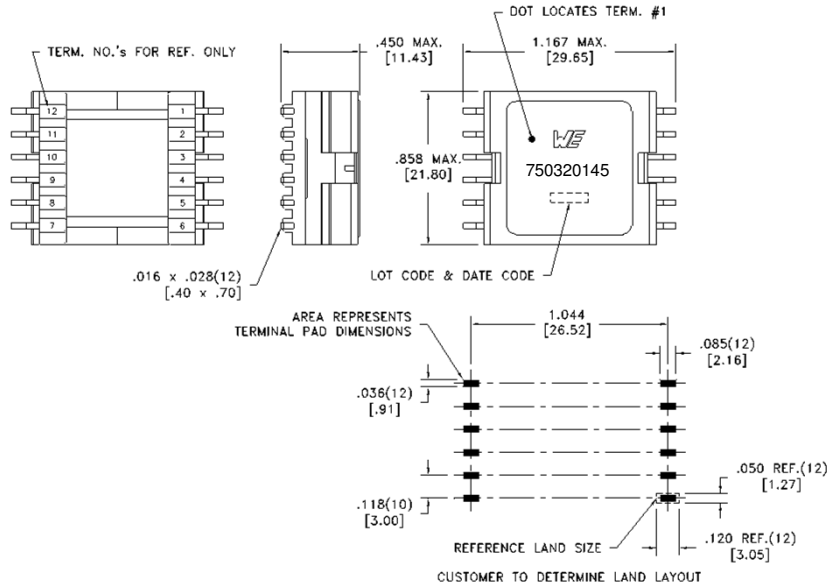
CUSTOMER TERMINAL	RoHS	LEAD(Pb)--FREE
Sn 96%, Ag 4%	Yes	Yes

more than you expect



**ELECTRICAL SPECIFICATIONS @ 25° C unless otherwise noted:**

PARAMETER	TEST CONDITIONS	VALUE
D.C. RESISTANCE	1-4 tie(1+2,3+4), @20°C	0.039 ohms ±20%
D.C. RESISTANCE	5-6 @20°C	0.116 ohms ±10%
D.C. RESISTANCE	7-12 tie(7+8+9,10+11+12), @20°C	0.016 ohms ±20%
INDUCTANCE	1-4 tie(1+2,3+4), 100kHz, 100mV, Ls	100µH ±15%
LEAKAGE INDUCTANCE	1-4 tie(1+2,3+4,5+6,7+8+9+10+11+12), 100kHz, 10mV, Ls	180nH typ., 400nH max.
DIELECTRIC	1-7 tie(3+4+5,10+11+12), 1875VAC, 1 second	1500VAC, 1 minute
DIELECTRIC	1-5 tie(3+4), 625VAC, 1 second	500VAC, 1 minute
TURNS RATIO	(1-4):(7-12), tie(1+2,3+4,7+8+9,10+11+12)	1.33:1
TURNS RATIO	(1-4):(5-6), tie(1+2,3+4)	1.6:1



**GENERAL SPECIFICATIONS:**

OPERATING TEMPERATURE RANGE: -40°C to +125°C including temp rise.

Safety standard undefined

Application of the transformer allows for the leadwires between terminals 1&2, 3&4, 7&8&9 and 10&11&12 to solder bridge.

Customer to tie terminals 1+2, 3+4, 7+8+9 and 10+11+12 on PC board.

Wire insulation & RoHS status not affected by wire color. Wire insulation color may vary depending on availability. Marking method, font and color may vary on preproduction samples.

DFM	SP	Packaging Specifications Method: Tape & Reel PKG-0868		Tolerances unless otherwise specified: Angles: ±1°    Decimals: ±.005 [ .13 ] Fractions: ±1/64    Footprint: ± .005 [ .13 ]	DRAWING TITLE <b>TRANSFORMER</b>	PART NO. <b>750320145</b>
DATE	5/9/2022			This drawing is dual dimensioned. Dimensions in brackets are in millimeters.		
ENG	EJK					
REV.	00					
DATE	4/25/2023	www.we-online.com/midcom				SPECIFICATION SHEET 1 OF 1