

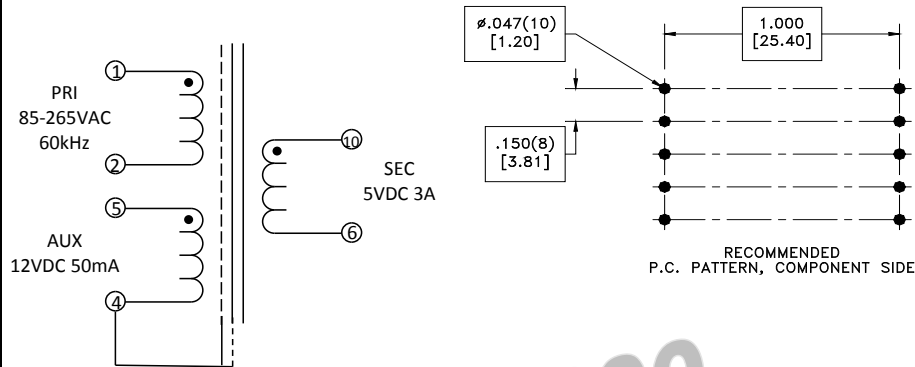
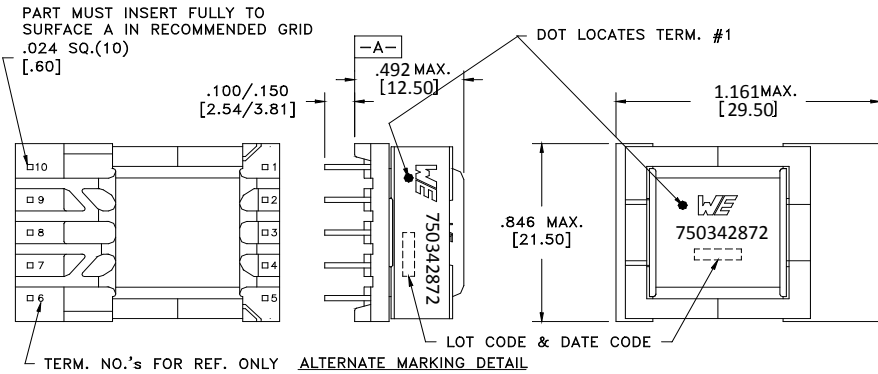
CUSTOMER TERMINAL	RoHS	LEAD(Pb)--FREE
Sn 96%, Ag 4%	Yes	Yes

more than you expect



**ELECTRICAL SPECIFICATIONS @ 25° C unless otherwise noted:**

PARAMETER	TEST CONDITIONS	VALUE
D.C. RESISTANCE	1-2 @20°C	0.400 ohms ±10%
D.C. RESISTANCE	5-4 @20° C	0.450 ohms ±10%
D.C. RESISTANCE	10-6 @20° C	0.010 ohms max.
INDUCTANCE	1-2 10kHz, 1V, Ls	530uH±10%
LEAKAGE INDUCTANCE	1-2 tie(4+5+6+10),100kHz, 100mV, Ls	20uH max.
DIELECTRIC	1-6 tie(2+4), 3000VAC, 1 second	
URNS RATIO	(1-2):(5-4)	5.6:1, ±1%
URNS RATIO	(1-2):(10-6)	14:1, ±1%



Reference Design

**GENERAL SPECIFICATIONS:**

OPERATING TEMPERATURE RANGE: -40°C to +125°C including temp rise.

EN60950-1, UL60950-1/CSA60950-1 and AS/NZS60950.1:

- Reinforced insulation for a primary circuit at a working voltage of 265Vrms, 400Vpeak, Overvoltage Category II.

Wire insulation & RoHS status not affected by wire color. Wire insulation color may vary depending on availability.

DFM	Packaging Specifications	<p>CONVENTION PLACEMENT</p>	Tolerances unless otherwise specified:	DRAWING TITLE	PART NO.
DATE	Method: Tray		Angles: ±1° Decimals: ±.005 [.13]		
ENG	PKG-0935		Fractions: ±1/64 Footprint: ±.001 [.03]	SPECIFICATION SHEET 1 OF 1	
REV.	00		This drawing is dual dimensioned. Dimensions in brackets are in millimeters.		
DATE	5/15		www.we-online.com/midcom		