

CUSTOMER TERMINAL	RoHS	LEAD(Pb)--FREE
Sn 96%, Ag 4%	Yes	Yes

more than you expect

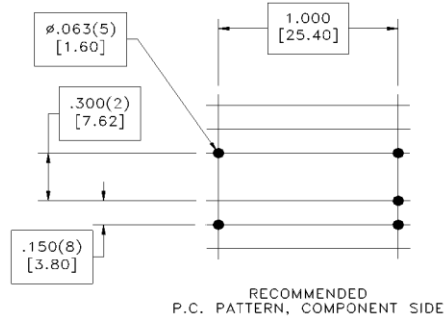
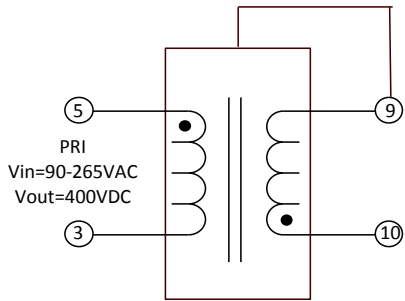
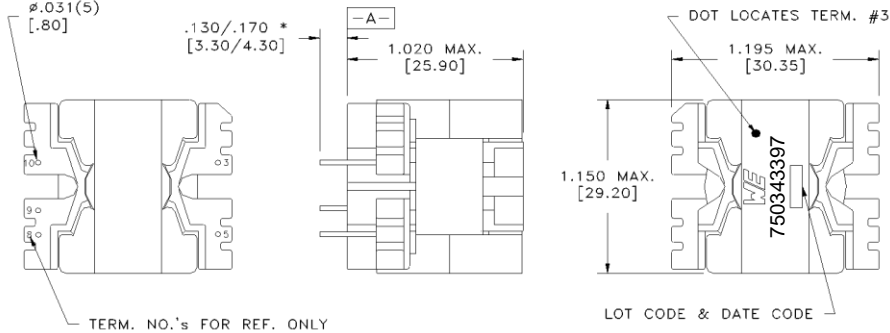


**ELECTRICAL SPECIFICATIONS @ 25° C unless otherwise noted:**

PARAMETER	TEST CONDITIONS	VALUE
D.C. RESISTANCE	5-3 @20°C	0.295 ohms max.
D.C. RESISTANCE	10-9 @20°C	0.200 ohms max.
INDUCTANCE	5-3 50KHz, 400mV, Ls	580.00µH ±7%
DIELECTRIC	5-9 1500VAC, 1 second	
URNS RATIO	(5-3):(10-9)	9.6:1, ±1%

PART MUST INSERT FULLY TO SURFACE A IN RECOMMENDED GRID

\* DIMENSION MAY BE EXCEEDED WITH SOLDER ONLY



**GENERAL SPECIFICATIONS:**

OPERATING TEMPERATURE RANGE: -40°C to +125°C including temp rise.

Wire insulation & RoHS status not affected by wire color. Wire insulation color may vary depending on availability.

DFM	Packaging Specifications	<p>CONVENTION PLACEMENT</p>	<p>Tolerances unless otherwise specified:          Angles: <math>\pm 1^\circ</math>    Decimals: <math>\pm .005</math> [.13]          Fractions: <math>\pm 1/64</math>    Footprint: <math>\pm .001</math> [.03]</p> <p>This drawing is dual dimensioned. Dimensions in brackets are in millimeters.</p>	<p>DRAWING TITLE</p> <p><b>INDUCTOR</b></p>	<p>PART NO.</p> <p><b>750343397</b></p>
DATE	Method: Tray				
ENG	HZH				
REV.	02				
DATE	2016-12-6				
www.we-online.com/midcom		SPECIFICATION SHEET 1 OF 1			