

CUSTOMER TERMINAL	RoHS	LEAD(Pb)-FREE
Sn96%, Ag4%	Yes	Yes

more than you expect



ELECTRICAL SPECIFICATIONS @ 25°C unless otherwise noted:

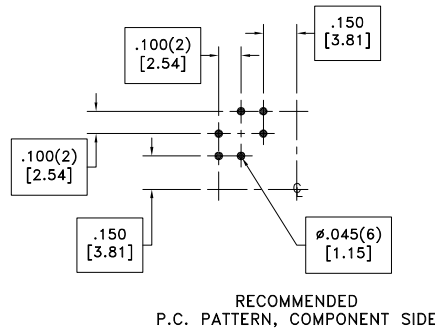
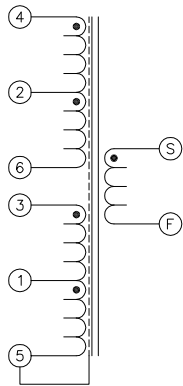
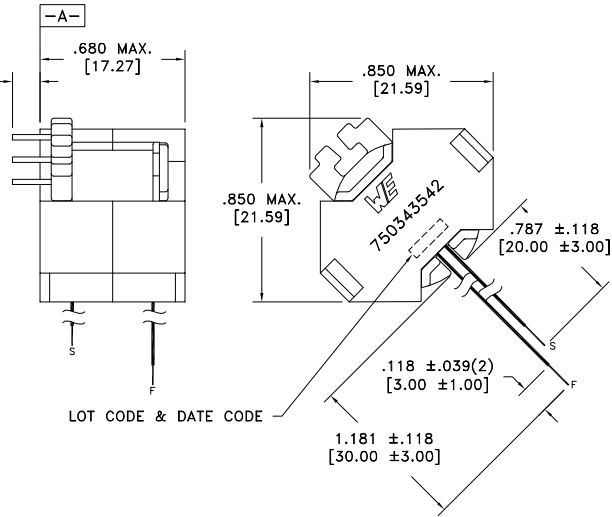
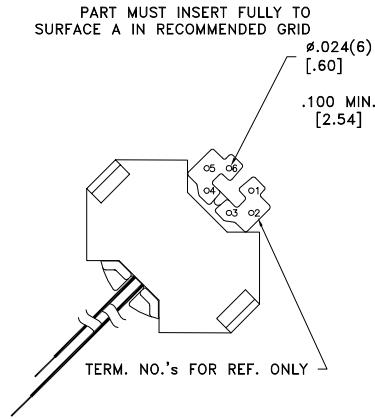
PARAMETER	TEST CONDITIONS	VALUE
D.C. RESISTANCE	S-F @20°C	0.020 ohms max.
D.C. RESISTANCE	3-1 @20°C	0.325 ohms max.
D.C. RESISTANCE	1-5 @20°C	0.220 ohms max.
D.C. RESISTANCE	4-6 @20°C	0.585 ohms max.
INDUCTANCE	4-6 10kHz, 1.0VAC, Ls	360.00uH ±10%
LEAKAGE INDUCTANCE	4-6 tie(1+3+5+S+F), 100kHz, 100mVAC, Ls	6uH max.
DIELECTRIC	1-S tie(1+6), 3750VAC, 1 second	3000VAC, 1 minute
DIELECTRIC	S-Core 3750VAC, 1 second	3000VAC, 1 minute
TURNS RATIO	(4-6):(3-1)	4.33:1, ±2%
TURNS RATIO	(4-6):(1-5)	6.5:1, ±2%
TURNS RATIO	(4-6):(S-F)	6.5:1, ±2%

GENERAL SPECIFICATIONS:

OPERATING TEMPERATURE RANGE: -40°C to +125°C including temp rise.

Designed to comply with the following requirements as defined by IEC60950-1, EN60950-1, UL60950-1/CSA60950-1 and AS/NZS60950.1:

- Reinforced insulation for a primary circuit at a working voltage of 265Vrms, 400Vpeak, Overvoltage Category II.



Wire insulation & RoHS status not affected by wire color.
Wire insulation color may vary depending on availability.

REV.	DATE	Packaging Specifications Method: Tray PKG-1137 www.we-online.com/midcom		Tolerances unless otherwise specified: Angles: ±1° Fractions: ±1/64 Decimals: ±.005 [.13] Footprint: ±.001 [.03]	DRAWING TITLE TRANSFORMER	PART NO. 750343542
6A	12/17	SEE REVISION SHEET FOR REVISION LEVEL		This drawing is dual dimensioned. Dimensions in brackets are in millimeters.	eiSos p/n: 750343542	SPECIFICATION SHEET 1 OF 1