

CUSTOMER TERMINAL	RoHS	LEAD(Pb)-FREE
Sn96%, Ag4%	Yes	Yes

more than you expect



ELECTRICAL SPECIFICATIONS @ 25°C unless otherwise noted:

PARAMETER	TEST CONDITIONS	VALUE
D.C. RESISTANCE	10-12 @20°C	0.560 ohms max.
D.C. RESISTANCE	3-1 @20°C	0.380 ohms max.
D.C. RESISTANCE	1-11 @20°C	0.210 ohms max.
D.C. RESISTANCE	S-F @20°C	0.021 ohms max.
INDUCTANCE	10-12 10kHz, 1.0VAC, Ls	360.00uH ±10%
SATURATION CURRENT	10-12 20% rolloff from initial	2.5A
LEAKAGE INDUCTANCE	10-12 tie(1+3+10+S+F), 100kHz, 1.0VAC, Ls	5.5uH max.
DIELECTRIC	1-S tie(1+2+3+10+11+12), 3750VAC, 1 second	3000VAC, 1 minute
DIELECTRIC	S-Core 3750VAC, 1 second	3000VAC, 1 minute
TURNS RATIO	(10-12):(3-1)	3.25:1, ±2%
TURNS RATIO	(10-12):(1-11)	6.5:1, ±2%
TURNS RATIO	(10-12):(S-F)	6.5:1, ±2%

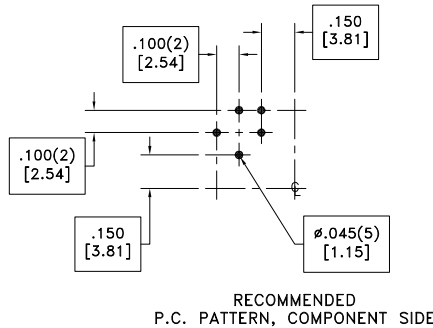
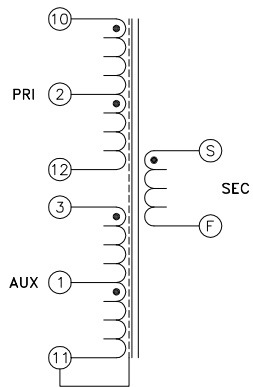
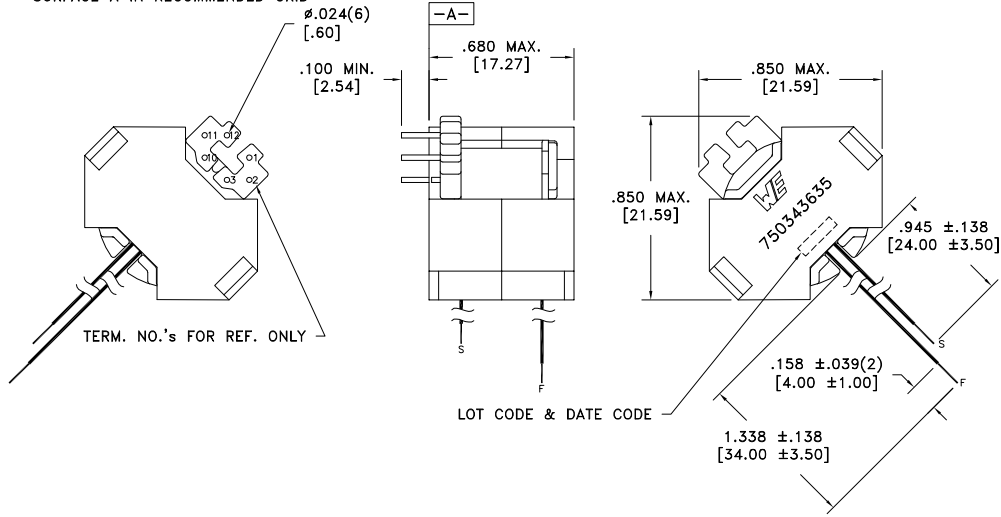
GENERAL SPECIFICATIONS:

OPERATING TEMPERATURE RANGE: -40°C to +125°C including temp rise.

Designed to comply with the following requirements as defined by IEC60950-1, EN60950-1, UL60950-1/CSA60950-1 and AS/NZS60950.1:

- Reinforced insulation for a primary circuit at a working voltage of 265Vrms, 400Vpeak, Overvoltage Category II.

PART MUST INSERT FULLY TO SURFACE A IN RECOMMENDED GRID



Wire insulation & RoHS status not affected by wire color.
Wire insulation color may vary depending on availability.

REV.	DATE	Packaging Specifications Method: Tray PKG-1137 www.we-online.com/midcom		Tolerances unless otherwise specified: Angles: $\pm 1^\circ$ Fractions: $\pm 1/64$	Decimals: $\pm .005$ [.13] Footprint: $\pm .001$ [.03]	DRAWING TITLE TRANSFORMER	PART NO. 750343635
6A	12/17	SEE REVISION SHEET FOR REVISION LEVEL		This drawing is dual dimensioned. Dimensions in brackets are in millimeters.		eiSos p/n: 750343635	SPECIFICATION SHEET 1 OF 1