

CUSTOMER TERMINAL	RoHS	LEAD(Pb)-FREE
Sn96%, Ag4%	Yes	Yes

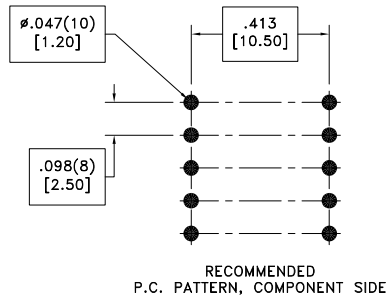
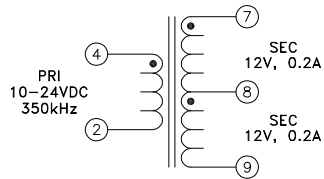
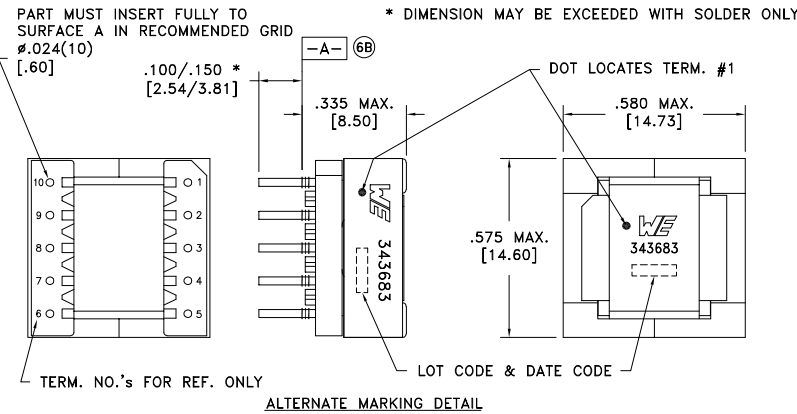


ELECTRICAL SPECIFICATIONS @ 25°C unless otherwise noted:

PARAMETER	TEST CONDITIONS	VALUE
D.C. RESISTANCE	4-2 @20°C	0.022 ohms max.
D.C. RESISTANCE	7-8 @20°C	0.170 ohms max.
D.C. RESISTANCE	8-9 @20°C	0.170 ohms max.
INDUCTANCE	4-2 10kHz, 100mVAC, Ls	15.00uH ±20%
SATURATION CURRENT	4-2 20% rolloff from initial	1.4A
LEAKAGE INDUCTANCE	4-2 tie(7+8+9), 100kHz, 100mVAC, Ls	100nH max.
DIELECTRIC	2-9 2500VDC, 1 second	-
URNS RATIO	(7-8):(8-9)	1:1, ±1%
URNS RATIO	(7-8):(4-2)	2.5:1, ±1%

GENERAL SPECIFICATIONS:

OPERATING TEMPERATURE RANGE: -40°C to +125°C including temp rise.



Wire insulation & RoHS status not affected by wire color.  
 Wire insulation color may vary depending on availability.

REV.	DATE	Packaging Specifications Method: Tray PKG-1102 www.we-online.com/midcom		Tolerances unless otherwise specified: Angles: $\pm 1^\circ$ Decimals: $\pm .005$ [.13] Fractions: $\pm 1/64$ Footprint: $\pm .001$ [.03]	DRAWING TITLE <b>TRANSFORMER</b>	PART NO. <b>750343683</b>
6B	6/19	SEE REVISION SHEET FOR REVISION LEVEL		This drawing is dual dimensioned. Dimensions in brackets are in millimeters.	eiSos p/n: 750343683	
6A	3/19					SPECIFICATION SHEET 1 OF 1