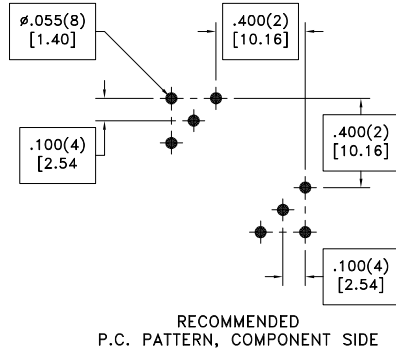
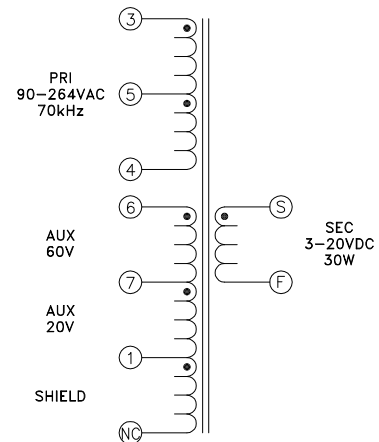
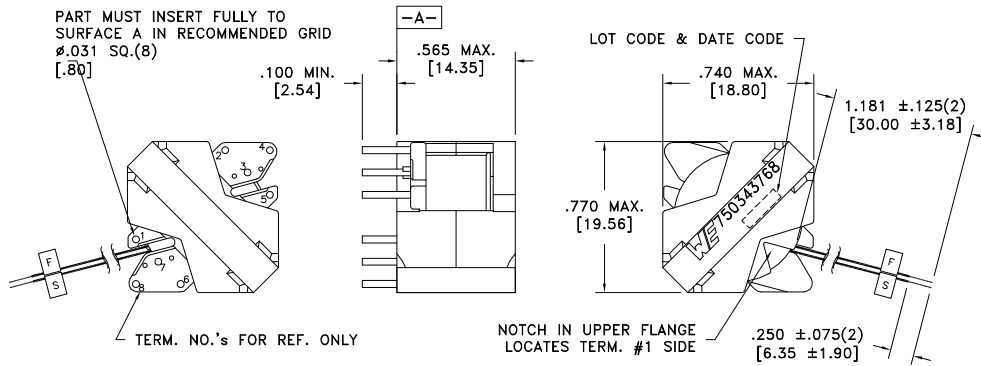


CUSTOMER TERMINAL	RoHS	LEAD(Pb)-FREE
Sn96%, Ag4%	Yes	Yes

more than you expect



ELECTRICAL SPECIFICATIONS @ 25°C unless otherwise noted:

PARAMETER	TEST CONDITIONS	VALUE
D.C. RESISTANCE	3-4 @20°C	0.59 ohms max.
D.C. RESISTANCE	S-F @20°C	0.03 ohms max.
D.C. RESISTANCE	7-1 @20°C	0.36 ohms max.
D.C. RESISTANCE	6-7 @20°C	0.74 ohms max.
INDUCTANCE	3-4 10kHz, 1.0VAC, Ls	530.00uH \pm 10%
LEAKAGE INDUCTANCE	3-4 tie(1+6+7+S+F), 100kHz, 100mVAC, Ls	12.0uH max.
DIELECTRIC	3-S tie(4+6), 3750VAC, 1 second	3000VAC, 1 minute
URNS RATIO	(3-4):(S-F)	6.67:1, \pm 2%
URNS RATIO	(3-4):(7-1)	6.67:1, \pm 2%
URNS RATIO	(3-4):(6-7)	3.33:1, \pm 2%

GENERAL SPECIFICATIONS:

OPERATING TEMPERATURE RANGE: -40°C to +125°C including temp rise.

Designed to comply with the following requirements as defined by IEC60950-1, EN60950-1, UL60950-1/CSA60950-1 and AS/NZS60950.1:

- Reinforced insulation for a primary circuit at a working voltage of 265Vrms, 400Vpeak, Overvoltage Category II.

Wire insulation & RoHS status not affected by wire color.
 Wire insulation color may vary depending on availability.

REV.	DATE	Packaging Specifications Method: Tray PKG-1173 www.we-online.com/midcom		Tolerances unless otherwise specified: Angles: \pm 1° Fractions: \pm 1/64 Decimals: \pm .005 [.13] Footprint: \pm .001 [.03]	DRAWING TITLE TRANSFORMER	PART NO. 750343768
6B	6/18	SEE REVISION SHEET FOR REVISION LEVEL	CONVENTION PLACEMENT	This drawing is dual dimensioned. Dimensions in brackets are in millimeters.	eiSos p/n: 750343768	compliant RoHS
6A	5/18					SPECIFICATION SHEET 1 OF 1