

CUSTOMER TERMINAL	RoHS	LEAD(Pb)-FREE
Sn96%, Ag4%	Yes	Yes



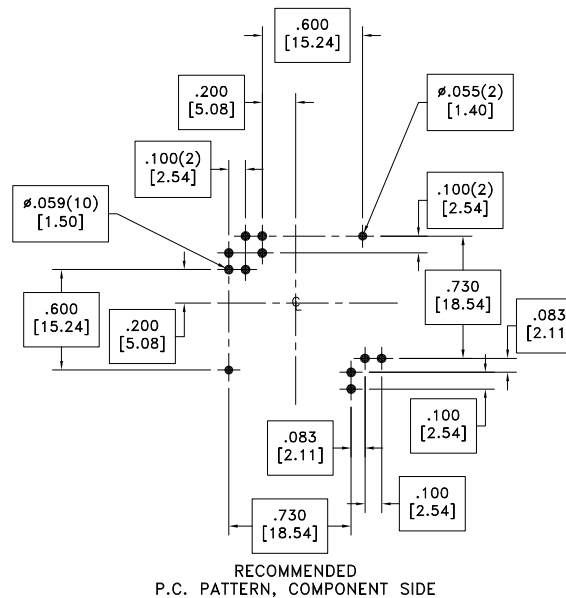
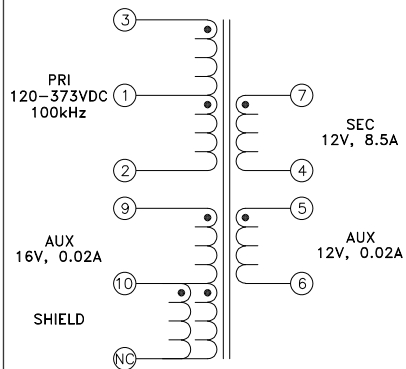
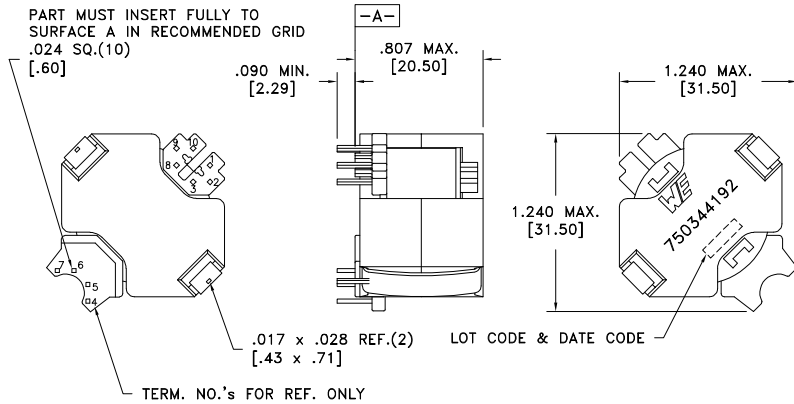
ELECTRICAL SPECIFICATIONS @ 25°C unless otherwise noted:

PARAMETER	TEST CONDITIONS	VALUE
D.C. RESISTANCE	3-2 @20°C	0.150 ohms max.
D.C. RESISTANCE	7-4 @20°C	0.005 ohms max.
D.C. RESISTANCE	5-6 @20°C	0.150 ohms max.
D.C. RESISTANCE	9-10 @20°C	0.210 ohms max.
INDUCTANCE	3-2 100kHz, 100mVAC, Ls	150.00uH ±10%
SATURATION CURRENT	3-2 20% rolloff from initial	5A
LEAKAGE INDUCTANCE	3-2 tie(4+5+6+7+9+10), 100kHz, 100mVAC, Ls	6uH max.
DIELECTRIC	3-4 tie(1+10, 4+5), 3750VAC, 1 second	3000VAC, 1 minute
DIELECTRIC	7-Core tie(4+5), 3750VAC, 1 second	3000VAC, 1 minute
DIELECTRIC	1-10 625VAC, 1 second	-
⑥⑧ TURNS RATIO	(3-2):(7-4)	8.67:1
⑥⑧ TURNS RATIO	(3-2):(5-6)	8.67:1
⑥⑧ TURNS RATIO	(3-2):(9-10)	6.5:1

GENERAL SPECIFICATIONS:

OPERATING TEMPERATURE RANGE: -40°C to +125°C including temp rise.

- ⑥⑧ Designed to comply with the following requirements as defined by IEC62368-1, EN62368-1, UL62368-1/CSA62368-1 and AS/NZS62368.1:
  - Reinforced insulation for a primary voltage of 265Vrms, 400Vpeak, Overvoltage Category II, Pollution Degree 2.



Wire insulation & RoHS status not affected by wire color.  
Wire insulation color may vary depending on availability.

REV.	DATE	Packaging Specifications	CONVENTION PLACEMENT
		Method: Tray PKG-1175 www.we-online.com/midcom	
6B	5/22		
6A	1/2/20	SEE REVISION SHEET FOR REVISION LEVEL	

Tolerances unless otherwise specified:  
Angles: ±1°  
Fractions: ±1/64  
Decimals: ±.005 [.13]  
Footprint: ±.001 [.03]

This drawing is dual dimensioned. Dimensions in brackets are in millimeters.

DRAWING TITLE  
**TRANSFORMER**

eiSos p/n: 750344192



PART NO.  
**750344192**

SPECIFICATION SHEET 1 OF 1