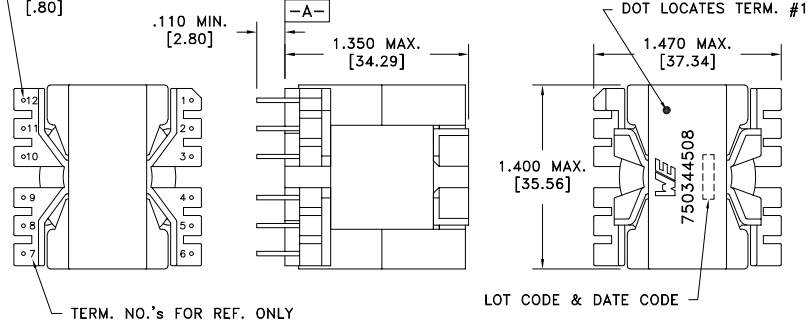


CUSTOMER TERMINAL	RoHS	LEAD(Pb)-FREE
Sn96%, Ag4%	Yes	Yes

more than you expect

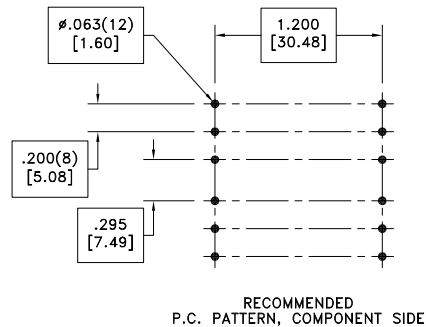
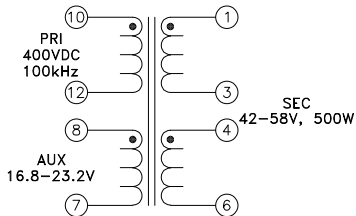


PART MUST INSERT FULLY TO SURFACE A IN RECOMMENDED GRID
 $\phi.031(12)$
 [.80]



ELECTRICAL SPECIFICATIONS @ 25°C unless otherwise noted:

PARAMETER	TEST CONDITIONS	VALUE
D.C. RESISTANCE	10-12 @20°C	0.068 ohms max.
D.C. RESISTANCE	1-3 @20°C	0.020 ohms max.
D.C. RESISTANCE	8-7 @20°C	0.135 ohms max.
D.C. RESISTANCE	4-6 @20°C	0.020 ohms max.
INDUCTANCE	10-12 10kHz, 100mVAC, Ls	155uH ±10%
LEAKAGE INDUCTANCE	10-12 tie(1+3+4+6+7+8), 100kHz, 100mVAC, Ls	3uH max.
DIELECTRIC	1-12 tie(3+4, 8+10), 3750VAC, 1 second	3000VAC, 1 minute
DIELECTRIC	12-Core tie(8+10), 3750VAC, 1 second	3000VAC, 1 minute
TURNS RATIO	(10-12):(1-3)	4:1
TURNS RATIO	(10-12):(8-7)	10:1
TURNS RATIO	(10-12):(4-6)	4:1



GENERAL SPECIFICATIONS:

OPERATING TEMPERATURE RANGE: -40°C to +125°C including temp rise.

Designed to comply with the following requirements as defined by IEC62368-1, EN62368-1, UL62368-1/CSA62368-1 and AS/NZS62368.1:

- Reinforced insulation for a primary circuit at a working voltage of 265Vrms, 400Vpeak, Overvoltage Category II, Pollution Degree 2.

Designed to comply with UL840.

Wire insulation & RoHS status not affected by wire color.
 Wire insulation color may vary depending on availability.

REV.	DATE	Packaging Specifications Method: Tray PKG-0825 www.we-online.com/midcom		Tolerances unless otherwise specified: Angles: ±1° Fractions: ±1/64 Decimals: ±.005 [.13] Footprint: ±.001 [.03]	DRAWING TITLE TRANSFORMER	PART NO. 750344508
6A	8/22	SEE REVISION SHEET FOR REVISION LEVEL		This drawing is dual dimensioned. Dimensions in brackets are in millimeters.	eiSos p/n: 750344508	SPECIFICATION SHEET 1 OF 1