

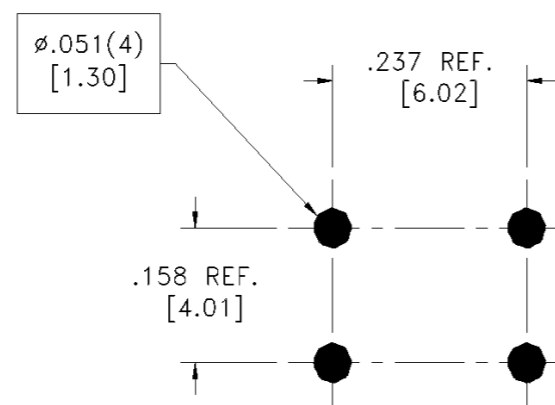
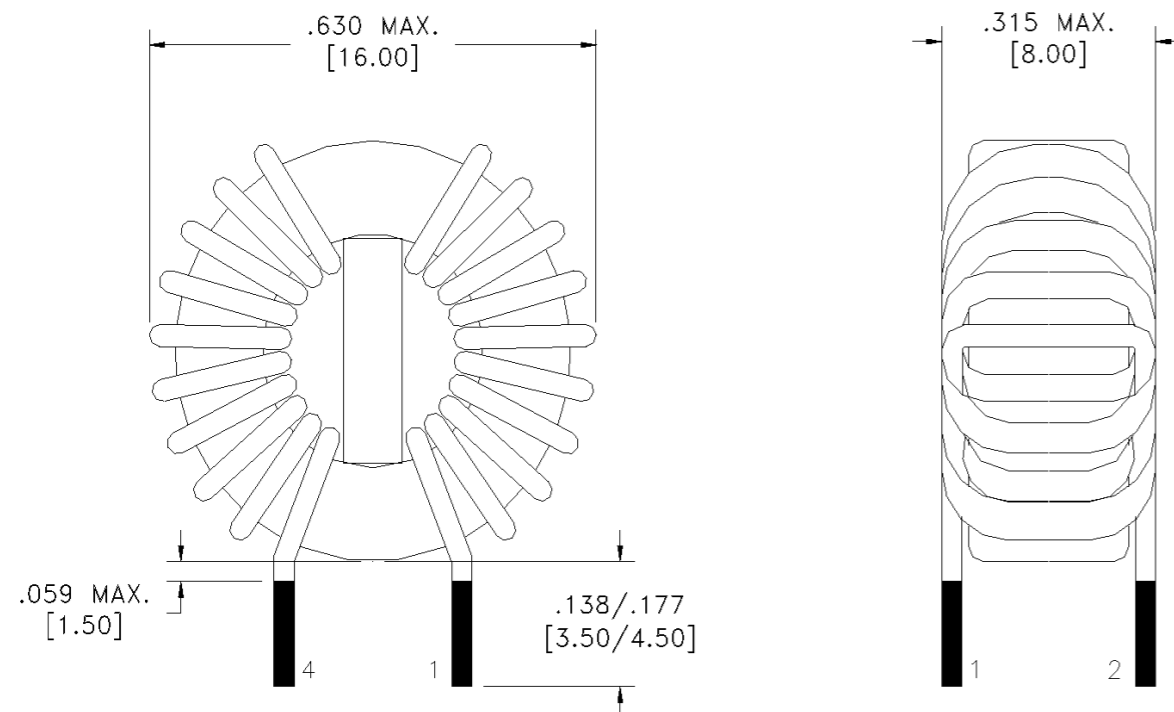
CUSTOMER TERMINAL	RoHS	LEAD(Pb)--FREE
Sn 96%, Ag 4%	Yes	Yes

more than you expect



**ELECTRICAL SPECIFICATIONS @ 25° C unless otherwise noted:**

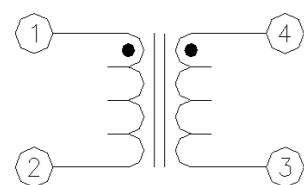
PARAMETER	TEST CONDITIONS	VALUE
D.C. RESISTANCE	1-2 @20°C	0.012 ohms max.
D.C. RESISTANCE	4-3 @20°C	0.012 ohms max.
INDUCTANCE	1-2 10kHz, 100mV, Ls	0.22mH min.
INDUCTANCE	4-3 10kHz, 100mV, Ls	0.22mH min.
DIELECTRIC	1-4 1875VAC, 1 second	1500VAC, 1 minute



**GENERAL SPECIFICATIONS:**

OPERATING TEMPERATURE RANGE: -40°C to +105°C including temp rise.

Current Rating: 3A



Wire insulation & RoHS status not affected by wire color. Wire insulation color may vary depending on availability.

DFM		Packaging Specifications	 CONVENTION PLACEMENT	Tolerances unless otherwise specified:	DRAWING TITLE	PART NO.
DATE		Method: Tray		Angles: $\pm 1^\circ$		
ENG	TLI	PKG-TBD	Fractions: $\pm 1/64$	This drawing is dual dimensioned. Dimensions in brackets are in millimeters.	SPECIFICATION SHEET 1 OF 1	
REV.	00		Decimals: $\pm .005$ [.13]			
DATE	2019/11/26	www.we-online.com/midcom				