

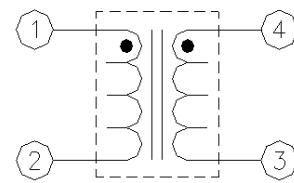
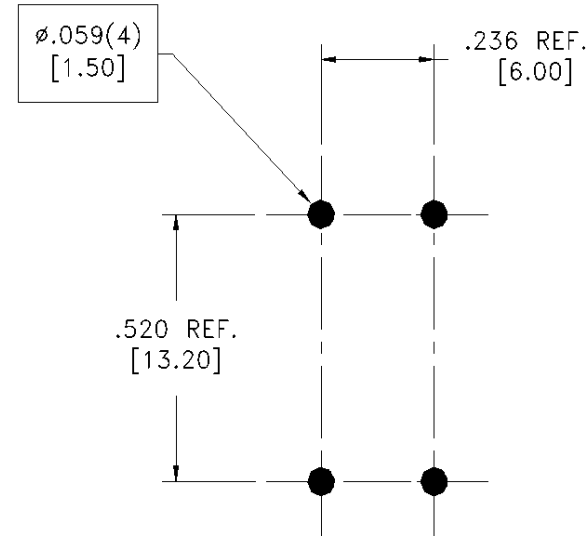
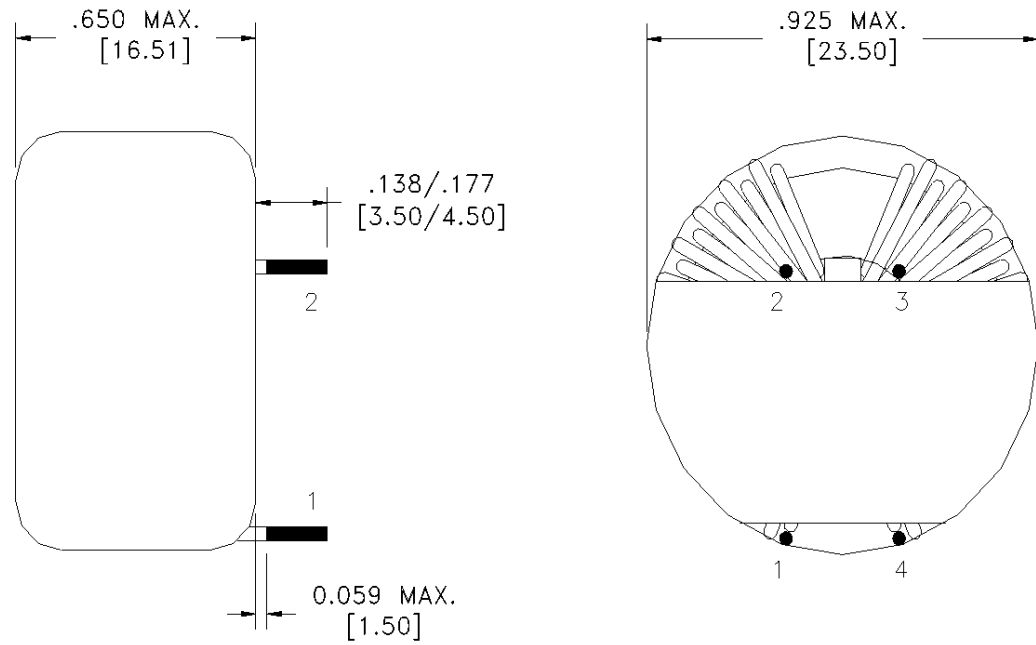
CUSTOMER TERMINAL	RoHS	LEAD(Pb)--FREE
Sn 96%, Ag 4%	Yes	Yes

more than you expect



**ELECTRICAL SPECIFICATIONS @ 25° C unless otherwise noted:**

PARAMETER	TEST CONDITIONS	VALUE
D.C. RESISTANCE	1-2 @20°C	0.06 ohms max.
D.C. RESISTANCE	4-3 @20°C	0.06 ohms max.
INDUCTANCE	1-2 10kHz, 100mV, Ls	4mH min.
INDUCTANCE	4-3 10kHz, 100mV, Ls	4mH min.
DIELECTRIC	1-4 1875VAC, 1 second	1500VAC, 1 minute



**GENERAL SPECIFICATIONS:**

OPERATING TEMPERATURE RANGE: -40°C to +105°C including temp rise.

Current Rating: 3A

Wire insulation & RoHS status not affected by wire color. Wire insulation color may vary depending on availability.

DFM		Packaging Specifications	 CONVENTION PLACEMENT	Tolerances unless otherwise specified:	DRAWING TITLE	PART NO.
DATE		Method: Tray		Angles: ±1°    Decimals: ±.005 [.13] Fractions: ±1/64    Footprint: ±.003 [.08]		
ENG	TLI	PKG-TBD	This drawing is dual dimensioned. Dimensions in brackets are in millimeters.		SPECIFICATION SHEET 1 OF 1	
REV.	00					
DATE	2019/11/26	www.we-online.com/midcom				