

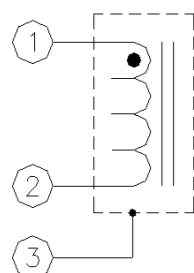
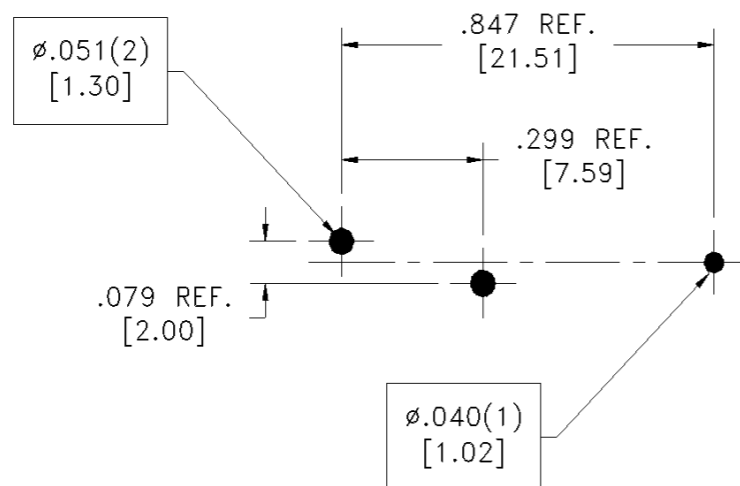
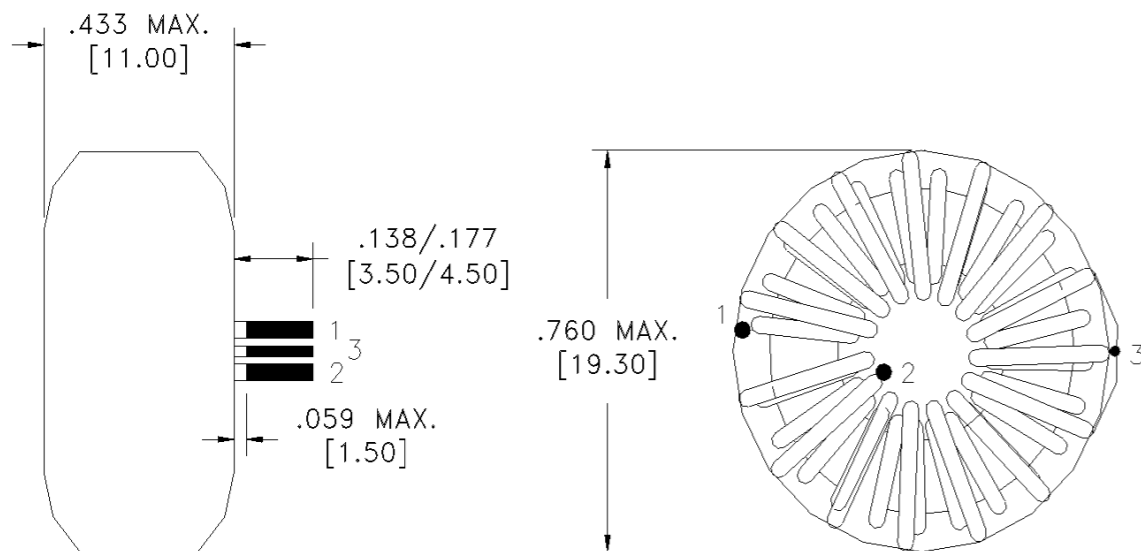
CUSTOMER TERMINAL	RoHS	LEAD(Pb)--FREE
Sn 96%, Ag 4%	Yes	Yes

more than you expect



ELECTRICAL SPECIFICATIONS @ 25° C unless otherwise noted:

PARAMETER	TEST CONDITIONS	VALUE
D.C. RESISTANCE	1-2 @20°C	0.042 ohms max.
INDUCTANCE	1-2 10kHz, 100mV, Ls	90µH ± 15%



GENERAL SPECIFICATIONS:

OPERATING TEMPERATURE RANGE: -40°C to +105°C including temp rise.

Current Rating: 3A

Wire insulation & RoHS status not affected by wire color. Wire insulation color may vary depending on availability.

DFM		Packaging Specifications	 CONVENTION PLACEMENT	Tolerances unless otherwise specified:	DRAWING TITLE	PART NO.
DATE		Method: Tray		Angles: ±1° Decimals: ±.005 [.13] Fractions: ±1/64 Footprint: ±.003 [.08]		
ENG	TLI	PKG-TBD	This drawing is dual dimensioned. Dimensions in brackets are in millimeters.		SPECIFICATION SHEET 1 OF 1	
REV.	00					
DATE	2019/11/26	www.we-online.com/midcom				