

CUSTOMER TERMINAL	RoHS	LEAD(Pb)-FREE
Sn96%, Ag4%	Yes	Yes



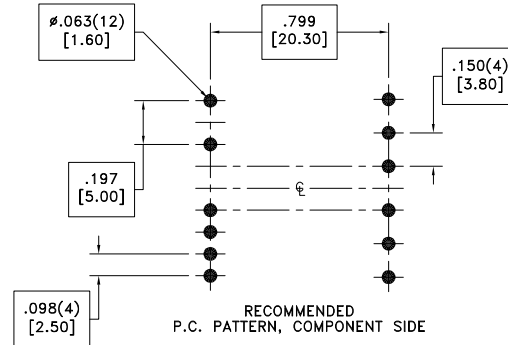
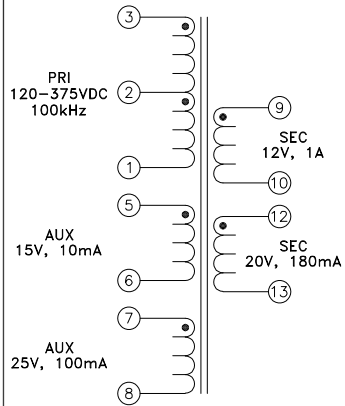
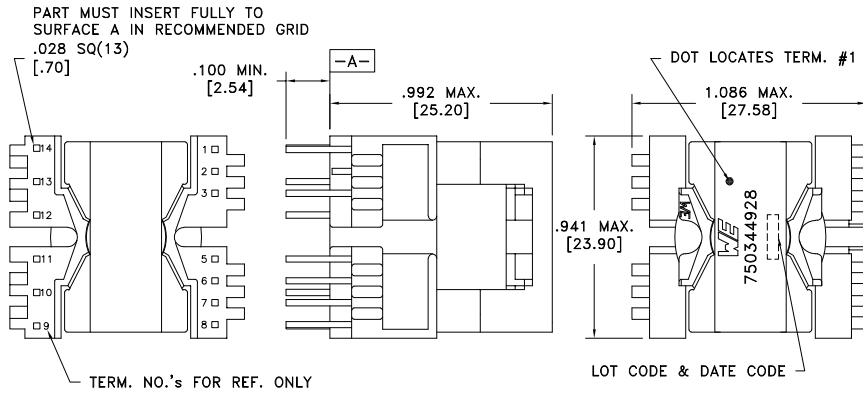
ELECTRICAL SPECIFICATIONS @ 25°C unless otherwise noted:

PARAMETER	TEST CONDITIONS	VALUE
D.C. RESISTANCE	3-1 @20°C	0.550 ohms max.
D.C. RESISTANCE	5-6 @20°C	0.050 ohms max.
D.C. RESISTANCE	7-8 @20°C	0.090 ohms max.
D.C. RESISTANCE	9-10 @20°C	0.015 ohms max.
D.C. RESISTANCE	12-13 @20°C	0.070 ohms max.
INDUCTANCE	3-1 10kHz, 100mVAC, Ls	930uH ±10%
SATURATION CURRENT	3-1 20% rolloff from initial	750mA
LEAKAGE INDUCTANCE	3-1 tie(9+10+12+13), 100kHz, 100mVAC, Ls	10uH max.
DIELECTRIC	1-13 tie(3+5+7, 10+12), 4000VAC, 1 second	4000VAC, 1 minute
TURNS RATIO	(3-1):(5-6)	14.33:1
TURNS RATIO	(3-1):(7-8)	7.17:1
TURNS RATIO	(3-1):(9-10)	14.33:1
TURNS RATIO	(3-1):(12-13)	8.6:1

GENERAL SPECIFICATIONS:

OPERATING TEMPERATURE RANGE: -40°C to +125°C including temp rise.

Designed to comply with the following requirements as defined by IEC62368-1, EN62368-1, UL62368-1/CSA62368-1 and AS/NZS62368.1:
 - Reinforced insulation for a primary circuit at a working voltage of 265Vrms, 400Vpeak, Overvoltage Category II, Pollution Degree 2.



Wire insulation & RoHS status not affected by wire color.
 Wire insulation color may vary depending on availability.

REV.	DATE	Packaging Specifications Method: Tray PKG-0239 www.we-online.com/midcom		Tolerances unless otherwise specified: Angles: ±1° Fractions: ±1/64 Decimals: ±.005 [.13] Footprint: ±.001 [.03]	DRAWING TITLE TRANSFORMER	PART NO. 750344928
6A	8/23	SEE REVISION SHEET FOR REVISION LEVEL		This drawing is dual dimensioned. Dimensions in brackets are in millimeters.	eiSos p/n: 750344928	compliant RoHS SPECIFICATION SHEET 1 OF 1