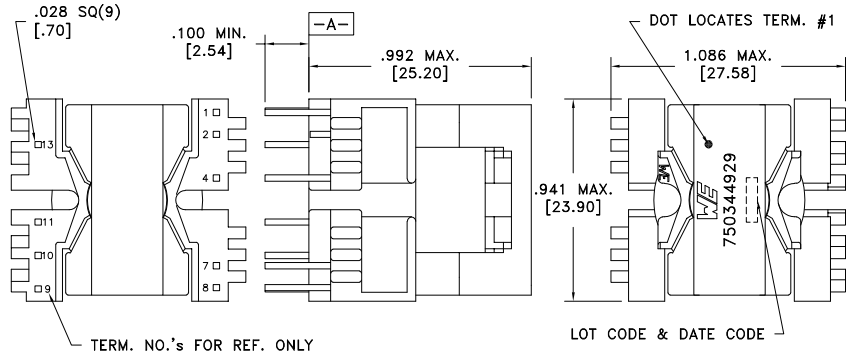


CUSTOMER TERMINAL	RoHS	LEAD(Pb)-FREE
Sn96%, Ag4%	Yes	Yes

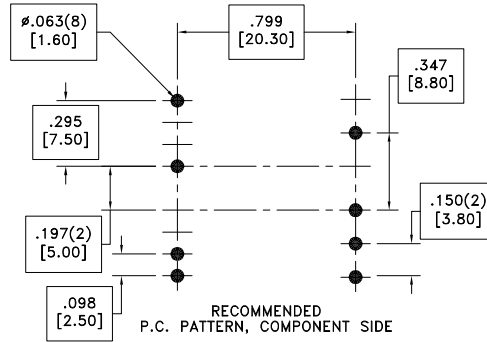
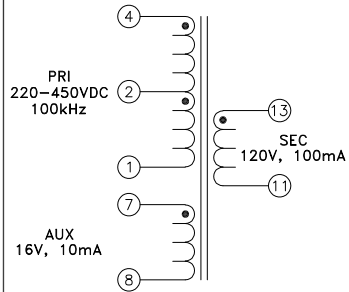


PART MUST INSERT FULLY TO SURFACE A IN RECOMMENDED GRID



ELECTRICAL SPECIFICATIONS @ 25°C unless otherwise noted:

PARAMETER	TEST CONDITIONS	VALUE
D.C. RESISTANCE	4-1 @20°C	0.64 ohms max.
D.C. RESISTANCE	7-8 @20°C	0.18 ohms max.
D.C. RESISTANCE	13-11 @20°C	0.32 ohms max.
INDUCTANCE	4-1 10kHz, 100mVAC, Ls	950uH ±10%
SATURATION CURRENT	4-1 20% rolloff from initial	0.8A
LEAKAGE INDUCTANCE	4-1 tie(11+13), 100kHz, 100mVAC, Ls	8uH max.
DIELECTRIC	1-13 tie(4+7), 4000VAC, 1 second	4000VAC, 1 minute
TURNS RATIO	(4-1):(7-8)	9.2:1
TURNS RATIO	(4-1):(13-11)	1.31:1



GENERAL SPECIFICATIONS:

OPERATING TEMPERATURE RANGE: -40°C to +125°C including temp rise.

Designed to comply with the following requirements as defined by IEC62368-1, EN62368-1, UL62368-1/CSA62368-1 and AS/NZS62368.1:
 - Reinforced insulation for a primary circuit at a working voltage of 265Vrms, 400Vpeak, Overvoltage Category II, Pollution Degree 2.

Wire insulation & RoHS status not affected by wire color.
 Wire insulation color may vary depending on availability.

REV.	DATE	Packaging Specifications Method: Tray PKG-0239 www.we-online.com/midcom		Tolerances unless otherwise specified: Angles: ±1° Fractions: ±1/64	Decimals: ±.005 [.13] Footprint: ±.001 [.03]	DRAWING TITLE TRANSFORMER	PART NO. 750344929
6A	9/23	SEE REVISION SHEET FOR REVISION LEVEL	CONVENTION PLACEMENT	This drawing is dual dimensioned. Dimensions in brackets are in millimeters.		eiSos p/n: 750344929	SPECIFICATION SHEET 1 OF 1