

CUSTOMER TERMINAL	RoHS	LEAD(Pb)--FREE
Sn 96%, Ag 4%	Yes	Yes

more than you expect

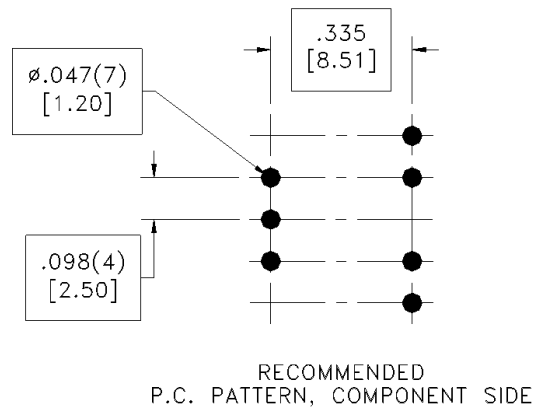
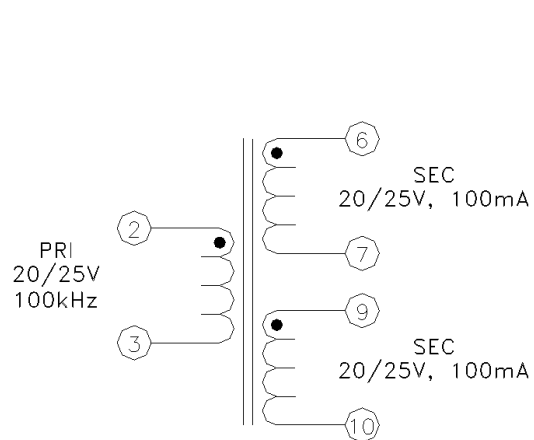
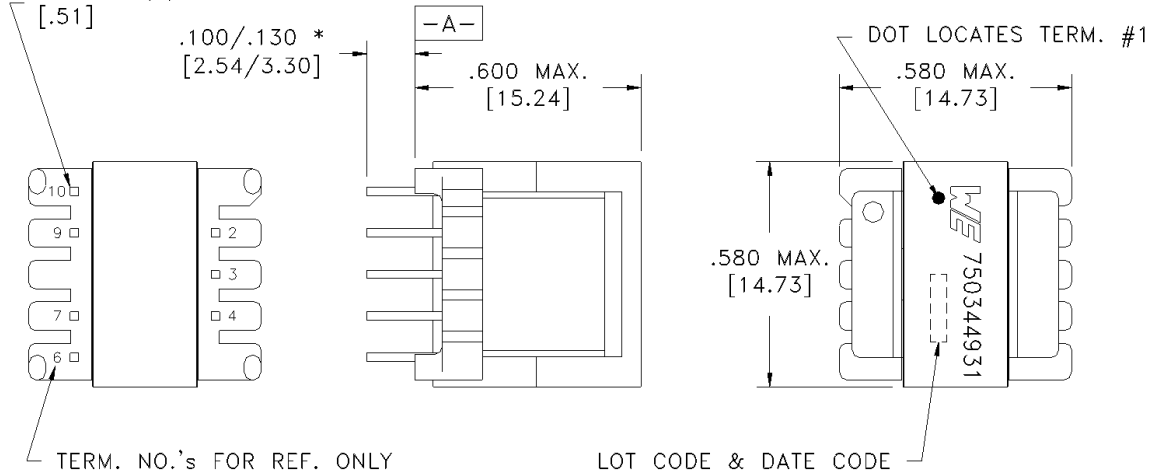


PART MUST INSERT FULLY TO SURFACE A IN RECOMMENDED GRID .020 SQ.(7) [.51]

* DIMENSION MAY BE EXCEEDED WITH SOLDER ONLY

ELECTRICAL SPECIFICATIONS @ 25° C unless otherwise noted:

PARAMETER	TEST CONDITIONS	VALUE
D.C. RESISTANCE	2-3 @20°C	0.16 ohms max.
D.C. RESISTANCE	6-7 @20°C	0.16 ohms max.
D.C. RESISTANCE	9-10 @20°C	0.16 ohms max.
INDUCTANCE	2-3 10kHz, 100mV, Ls	1mH min.
LEAKAGE INDUCTANCE	2-3 tie(6+7+9+10), 100kHz, 100mV, Ls	0.4µH max.
DIELECTRIC	2-10 tie(7+9), 750VAC, 1 second	750VAC, 1 minute
TURNS RATIO	(2-3):(6-7)	1:1
TURNS RATIO	(2-3):(9-10)	1:1



GENERAL SPECIFICATIONS:

OPERATING TEMPERATURE RANGE: -40°C to +125°C including temp rise.

Wire insulation & RoHS status not affected by wire color. Wire insulation color may vary depending on availability. Marking detail font and color may vary on preproduction samples.

DFM		Packaging Specifications Method: Tray PKG-0816	 Tolerances unless otherwise specified: Angles: ±1° Decimals: ±.005 [.13] Fractions: ±1/64 Footprint: ±.001 [.03]	DRAWING TITLE TRANSFORMER	PART NO. 750344931
DATE					
ENG	TLI		This drawing is dual dimensioned. Dimensions in brackets are in millimeters.		
REV.	00				
DATE	2021/1/25	www.we-online.com/midcom			SPECIFICATION SHEET 1 OF 1