

CUSTOMER TERMINAL	RoHS	LEAD(Pb)-FREE
Sn96%, Ag4%	Yes	Yes



ELECTRICAL SPECIFICATIONS @ 25°C unless otherwise noted:

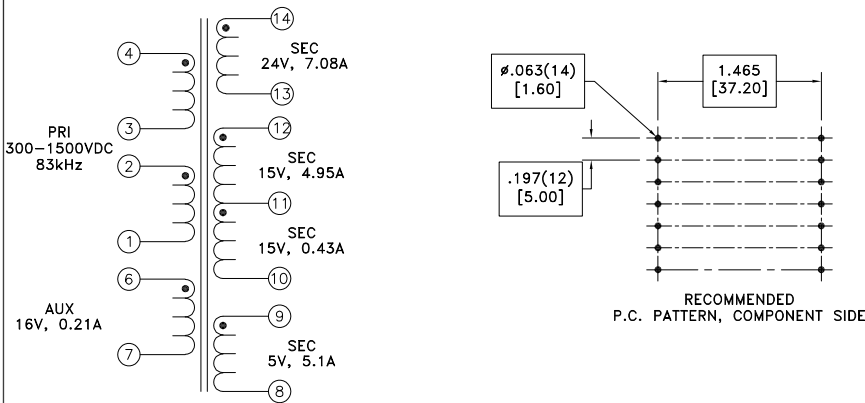
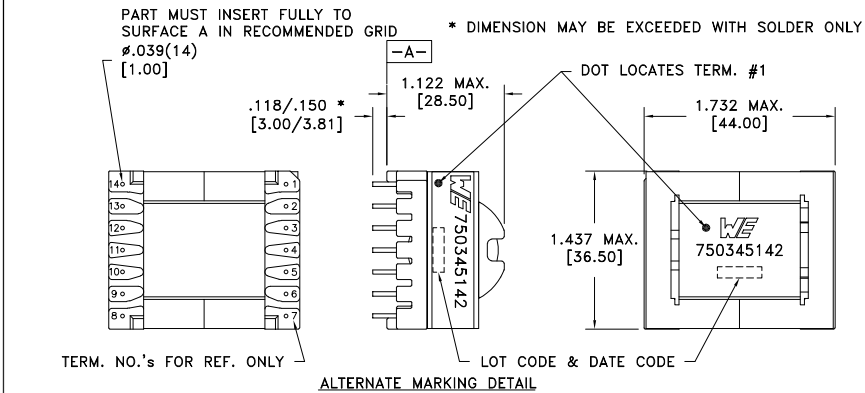
PARAMETER	TEST CONDITIONS	VALUE
D.C. RESISTANCE	1-4 tie(2+3), @20°C	0.90 ohms max.
D.C. RESISTANCE	14-13 @20°C	0.02 ohms max.
D.C. RESISTANCE	12-11 @20°C	0.02 ohms max.
D.C. RESISTANCE	11-10 @20°C	0.13 ohms max.
D.C. RESISTANCE	9-8 @20°C	0.02 ohms max.
D.C. RESISTANCE	6-7 @20°C	0.15 ohms max.
INDUCTANCE	1-4 tie(2+3), 50kHz, 100mVAC, Ls	800.00uH ±10%
SATURATION CURRENT	1-4 tie(2+3), 20% rolloff from initial	3A
LEAKAGE INDUCTANCE	1-4 tie(2+3), 8+9+10+11+12+13+14, 100kHz, 100mVAC, Ls	17uH typ., 24uH max.
DIELECTRIC	1-14 tie(2+3+7, 9+11+13), 4000VAC, 1 second	4000VAC, 1 minute
DIELECTRIC	1-7 tie(2+3), 1250VAC, 1 second	-
DIELECTRIC	14-11 tie(9+10), 1250VAC, 1 second	-
DIELECTRIC	11-9 1250VAC, 1 second	-
DIELECTRIC	1-Core tie(2+3+7, 9+11+13), 2000VAC, 1 second	-
URNS RATIO	(4-1):(14-13), tie(2+3)	12:1
URNS RATIO	(4-1):(12-11), tie(2+3)	18:1
URNS RATIO	(4-1):(11-10), tie(2+3)	18:1
URNS RATIO	(4-1):(9-8), tie(2+3)	36:1
URNS RATIO	(4-1):(6-7), tie(2+3)	18:1
INSULATION RESISTANCE	1-14 tie(2+3+7, 9+11+13), 1000VDC, 1 minute	10Mohms min.
INSULATION RESISTANCE	1-7 tie(2+3), 1000VDC, 1 minute	10Mohms min.
INSULATION RESISTANCE	14-11 tie(9+10), 1000VDC, 1 minute	10Mohms min.
INSULATION RESISTANCE	11-9 1000VDC, 1 minute	10Mohms min.
INSULATION RESISTANCE	1-Core tie(2+3+7, 9+11+13), 1000VDC, 1 minute	10Mohms min.

GENERAL SPECIFICATIONS:

OPERATING TEMPERATURE RANGE: -40°C to +125°C including temp rise.

Designed to meet 10mm min. creepage distance and 8mm min. clearance distance.

Wire insulation & RoHS status not affected by wire color.
Wire insulation color may vary depending on availability.



Customer to tie terminals 2+3 on PC board.

Application of the transformer allows for the leadwires between terminals 2&3 to solder bridge.

REV.	DATE	Packaging Specifications Method: Tray PKG-0810 www.we-online.com/midcom		Tolerances unless otherwise specified: Angles: ±1° Fractions: ±1/64 Decimals: ±.005 [.13] Footprint: ±.001 [.03]	DRAWING TITLE TRANSFORMER	PART NO. 750345142
6A	11/23	SEE REVISION SHEET FOR REVISION LEVEL	CONVENTION PLACEMENT	This drawing is dual dimensioned. Dimensions in brackets are in millimeters.	eiSos p/n: 750345142	SPECIFICATION SHEET 1 OF 1