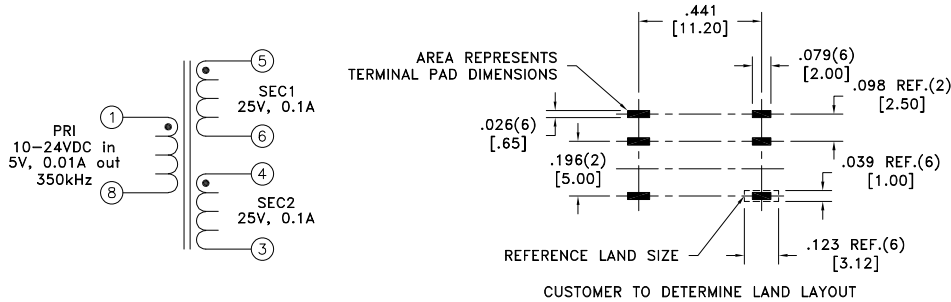
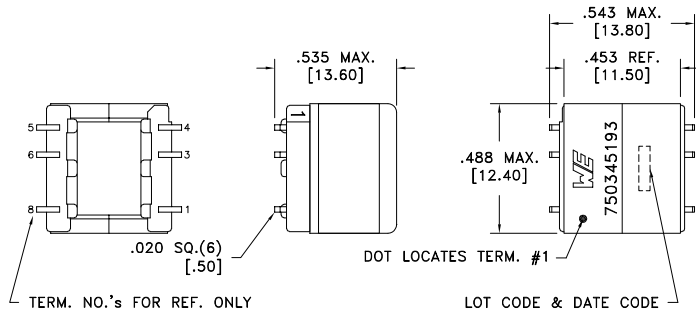


CUSTOMER TERMINAL	RoHS	LEAD(Pb)-FREE
Sn96%, Ag4%	Yes	Yes



ELECTRICAL SPECIFICATIONS @ 25°C unless otherwise noted:

PARAMETER	TEST CONDITIONS	VALUE
D.C. RESISTANCE	1-8 @20°C	0.04 ohms max.
D.C. RESISTANCE	5-6 @20°C	1.60 ohms max.
D.C. RESISTANCE	3-4 @20°C	1.90 ohms max.
INDUCTANCE	1-8 10kHz, 100mVAC, Ls	10.00uH ±15%
SATURATION CURRENT	1-8 20% rolloff from initial	1.5A
LEAKAGE INDUCTANCE	1-8 tie(3+4+5+6), 100kHz, 100mVAC, Ls	300nH max.
INTERWINDING CAPACITANCE	1-3 tie(3+4+5+6), 100kHz, 10mVAC, Cs	13pF max.
DIELECTRIC	1-5 tie(4+5), 1875VAC, 1 second	1500VAC, 1 minute
DIELECTRIC	4-5 1875VAC, 1 second	1500VAC, 1 minute
TURNS RATIO	(5-6):(1-8)	5:1
TURNS RATIO	(5-6):(4-3)	1:1



GENERAL SPECIFICATIONS:

OPERATING TEMPERATURE RANGE: -40°C to +125°C including temp rise.

Designed to meet creepage distance at 5mm min. between SEC1 & SEC2.
 Designed to meet clearance distance at 4mm min. between SEC1 & SEC2.

Wire insulation & RoHS status not affected by wire color.
 Wire insulation color may vary depending on availability.

REV.	DATE	Packaging Specifications Method: Tape & Reel PKG-1188 www.we-online.com/midcom		Tolerances unless otherwise specified: Angles: ±1° Fractions: ±1/64 Decimals: ±.005 [.13] Footprint: ±.005 [.13]	DRAWING TITLE TRANSFORMER	PART NO. 750345193
6A	8/22	SEE REVISION SHEET FOR REVISION LEVEL		This drawing is dual dimensioned. Dimensions in brackets are in millimeters.	eiSos p/n: 750345193	SPECIFICATION SHEET 1 OF 1