

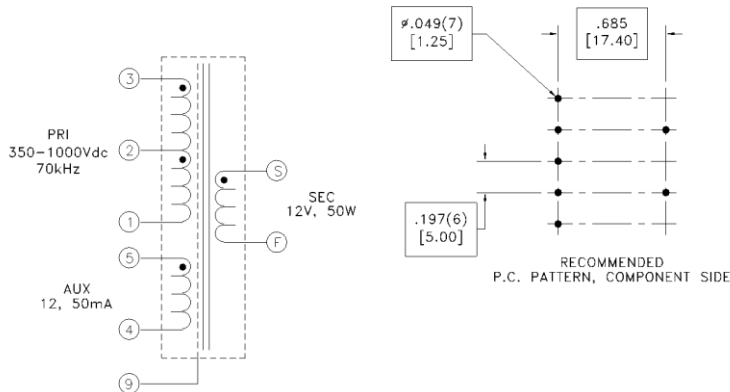
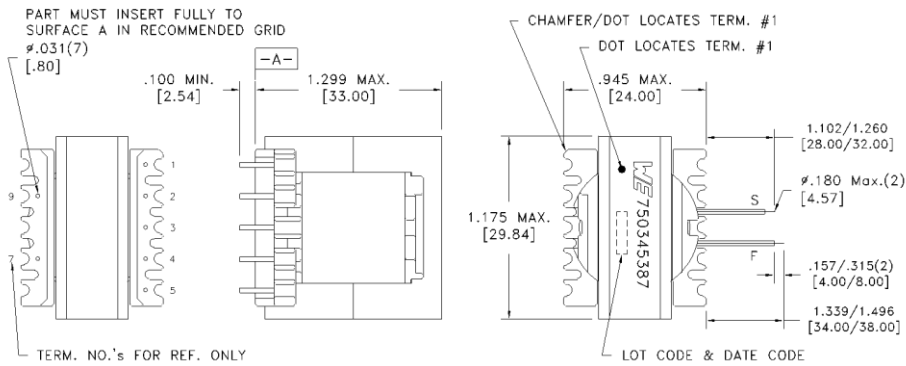
CUSTOMER TERMINAL	RoHS	LEAD(Pb)--FREE
Sn 96%, Ag 4%	Yes	Yes

more than you expect



ELECTRICAL SPECIFICATIONS @ 25° C unless otherwise noted:

PARAMETER	TEST CONDITIONS	VALUE
D.C. RESISTANCE	3-1 @20°C	1.66 ohms max.
D.C. RESISTANCE	5-4 @20°C	0.11 ohms max.
D.C. RESISTANCE	S-F @20°C	0.01 ohms max.
INDUCTANCE	3-1 10kHz, 100mV, Ls	2.10mH ±10%
SATURATION CURRENT	3-1 20% rolloff from initial	0.9A
LEAKAGE INDUCTANCE	3-1 tie(S+F), 100kHz, 100mV, Ls	30µH typ., 50µH max.
DIELECTRIC	1-S tie(3+4), 5000VAC, 1 second	4250VAC, 1 minute
DIELECTRIC	1-5 625VAC, 1 second	
URNS RATIO	(3-1):(S-F)	21:1
URNS RATIO	(3-1):(5-4)	21:1



GENERAL SPECIFICATIONS:

OPERATING TEMPERATURE RANGE: -40°C to +125°C including temp rise.
 Designed to comply with the following requirements as defined by IEC62368-1, EN62368-1, UL62368-1/CSA62368-1 and AS/NZS62368.1:
 - Reinforced insulation for a primary circuit at a working voltage of 1000Vpeak, OVC II, Pollution Degree 2.

Wire insulation & RoHS status not affected by wire color. Wire insulation color may vary depending on availability. Marking method, font and color may vary on preproduction samples.

DFM	Packaging Specifications		Tolerances unless otherwise specified: Angles: ±1° Decimals: ±.005 [.13] Fractions: ±1/64 Footprint: ±.001 [.03]	DRAWING TITLE TRANSFORMER	PART NO. 750345387
DATE	Method: Tray PKG-1337		This drawing is dual dimensioned. Dimensions in brackets are in millimeters.		
ENG	IYU				
REV.	00				
DATE	2023/11/22	www.we-online.com/midcom			SPECIFICATION SHEET 1 OF 1