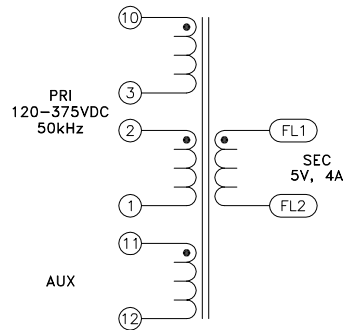
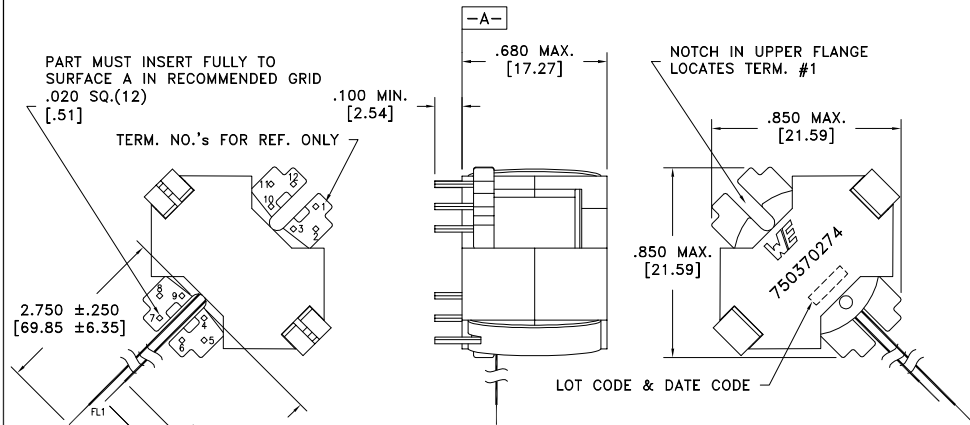
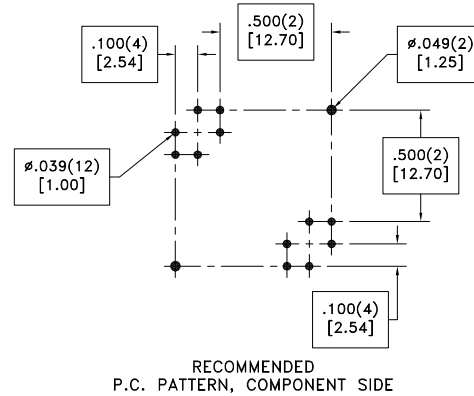


CUSTOMER TERMINAL	RoHS	LEAD(Pb)-FREE
Sn96%, Ag4%	Yes	Yes

more than you expect



Customer to tie terminals 2+3 on PC board.



ELECTRICAL SPECIFICATIONS @ 25°C unless otherwise noted:

PARAMETER	TEST CONDITIONS	VALUE
D.C. RESISTANCE	FL1-FL2 @20°C	0.007 ohms ±30%
D.C. RESISTANCE	10-1 tie(3+2), @20°C	0.779 ohms ±10%
D.C. RESISTANCE	11-12 @20°C	0.210 ohms ±10%
INDUCTANCE	10-1 tie(3+2), 10kHz, 100mVAC, Ls	800uH ±10%
SATURATION CURRENT	10-1 tie(3+2), 20% rolloff from initial	1.95A
LEAKAGE INDUCTANCE	10-1 tie(3+2, 11+12+FL1+FL2), 100kHz, 100mVAC, Ls	17uH typ., 25uH max.
DIELECTRIC	10-FL1 tie(3+2, 1+11), 3750VAC, 1 second	3000VAC, 1 minute
DIELECTRIC	FL1-Core tie(3+2, 1+11), 3750VAC, 1 second	3000VAC, 1 minute
DIELECTRIC	10-11 tie(3+2), 625VAC, 1 second	-
TURNS RATIO	(10-1):(FL1-FL2), tie(3+2)	17:1, ±1%
TURNS RATIO	(10-1):(11-12), tie(3+2)	6.8:1, ±1%

GENERAL SPECIFICATIONS:

OPERATING TEMPERATURE RANGE: -40°C to +125°C including temp rise.

Designed to comply with the following requirements as defined by IEC60950-1, EN60950-1, UL60950-1/CSA60950-1 and AS/NZS60950.1:
 - Reinforced insulation for a primary circuit at a working voltage of 265Vrms, 400Vpeak, Overvoltage Category II.

Wire insulation & RoHS status not affected by wire color.
 Wire insulation color may vary depending on availability.

REV.	DATE	Packaging Specifications Method: Tray PKG-1137 www.we-online.com/midcom		Tolerances unless otherwise specified: Angles: ±1° Fractions: ±1/64 Decimals: ±.005 [.13] Footprint: ±.001 [.03]	DRAWING TITLE TRANSFORMER	PART NO. 750370274
6A	1/18	SEE REVISION SHEET FOR REVISION LEVEL	CONVENTION PLACEMENT	This drawing is dual dimensioned. Dimensions in brackets are in millimeters.	eiSos p/n: 750370274	SPECIFICATION SHEET 1 OF 1