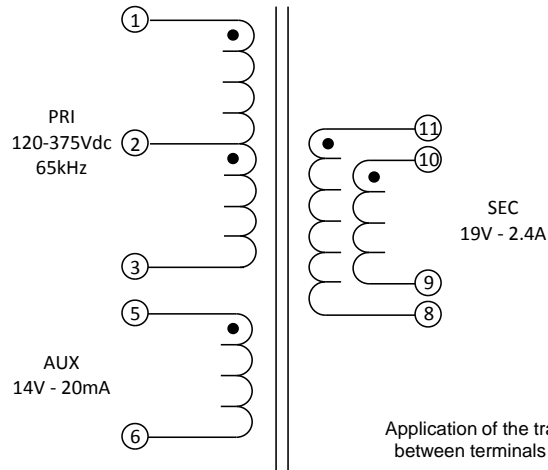
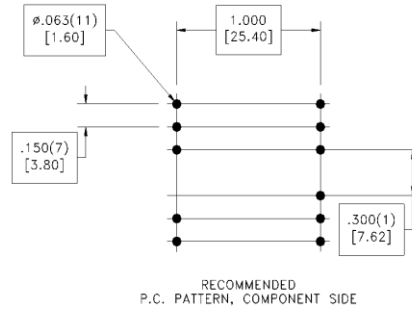
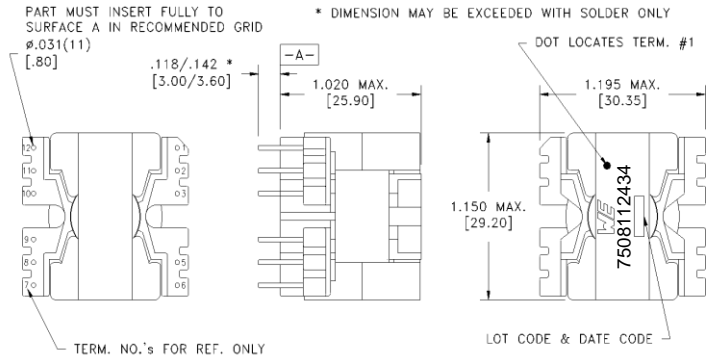


CUSTOMER TERMINAL	RoHS	LEAD(Pb)--FREE
Sn 96%, Ag 4%	Yes	Yes



ELECTRICAL SPECIFICATIONS @ 25° C unless otherwise noted:

PARAMETER	TEST CONDITIONS	VALUE
D.C. RESISTANCE	1-3 @20°C	0.615 ohms ±10%
D.C. RESISTANCE	5-6 @20°C	0.085 ohms ±10%
D.C. RESISTANCE	8-11 tie(8+9, 10+11), @20°C	0.017 ohms ±20%
INDUCTANCE	1-3 10kHz, 100mV, Ls	1.00mH ±10%
SATURATION CURRENT	1-3 20% rolloff from initial	2.2A
LEAKAGE INDUCTANCE	1-3 tie(5+6, 8+9+12+13), 100kHz, 100mV, Ls	7µH typ., 12µH max.
DIELECTRIC	1-10 tie(3+5,8+9), 3750VAC, 1 second	3000VAC, 1 minute
DIELECTRIC	1-6 625VAC, 1 second	
URNS RATIO	(1-2):(2-3)	1:1, ±1%
URNS RATIO	(1-3):(5-6)	9.33:1, ±1%
URNS RATIO	(1-3):(11-8), tie(8+9, 10+11)	7:1, ±1%



Application of the transformer allows for the leadwires between terminals 8&9 and 10&11 to solder bridge.

Customer to tie terminals 8&9 and 10&11 on PC board.

GENERAL SPECIFICATIONS:

OPERATING TEMPERATURE RANGE: -40°C to +125°C including temp rise.

Designed to comply with the following requirements as defined by IEC60950-1, EN60950-1, UL60950-1/CSA60950-1 and AS/NZS60950.1:

- Reinforced insulation for a primary circuit at a working voltage of 265Vrms, 400Vpeak, Overvoltage Category II.

Wire insulation & RoHS status not affected by wire color. Wire insulation color may vary depending on availability.

DFM	SP	Packaging Specifications	 CONVENTION PLACEMENT	Tolerances unless otherwise specified: Angles: ±1° Decimals: ±.005 [.13] Fractions: ±1/64 Footprint: ±.001 [.03]	DRAWING TITLE TRANSFORMER	PART NO. 7508112434
DATE	11/14/2016	Method: Tray PKG-0807		This drawing is dual dimensioned. Dimensions in brackets are in millimeters.		
ENG	JLV					
REV.	01					
DATE	2/8/2017	www.we-online.com/midcom				