

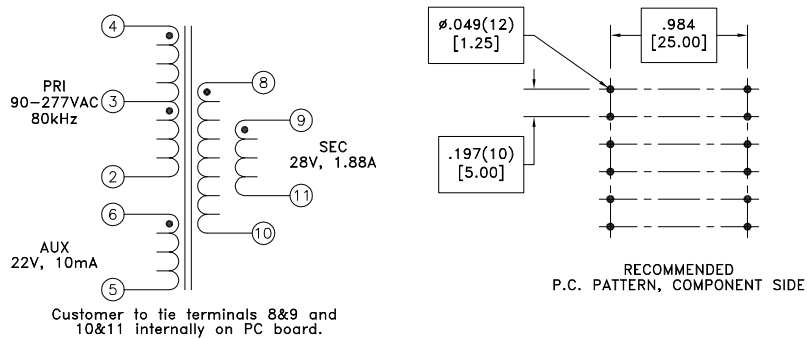
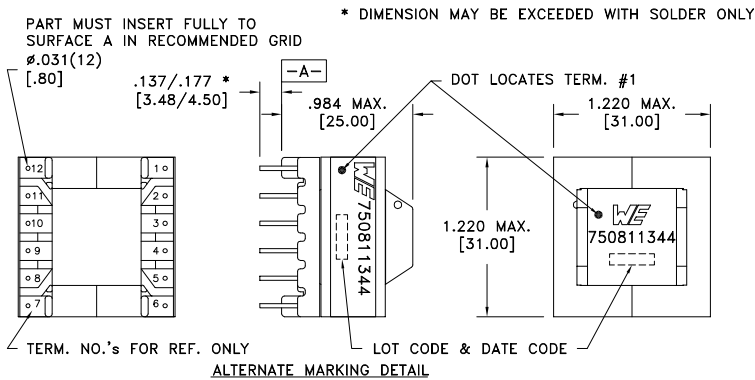
CUSTOMER TERMINAL	RoHS	LEAD(Pb)-FREE
Sn96%, Ag4%	Yes	Yes

more than you expect



ELECTRICAL SPECIFICATIONS @ 25°C unless otherwise noted:

PARAMETER	TEST CONDITIONS	VALUE
D.C. RESISTANCE	2-4 @20°C	0.358 ohms ±10%
D.C. RESISTANCE	5-6 @20°C	0.090 ohms ±10%
D.C. RESISTANCE	8-11 tie(8+9, 10+11), @20°C	0.038 ohms ±20%
INDUCTANCE	2-4 10kHz, 100mVAC, Ls	250uH ±10%
SATURATION CURRENT	2-4 20% rolloff from initial	7.3A
LEAKAGE INDUCTANCE	2-4 tie(5+6, 8+9+10+11), 100kHz, 100mVAC, Ls	4.0uH typ., 8.0uH max.
DIELECTRIC	2-8 tie(4+5, 10+11), 4500VAC, 1 second	4500VAC, 1 minute
DIELECTRIC	2-6 625VAC, 1 second	500VAC, 1 minute
TURNS RATIO	(4-3):(3-2)	1:1, ±1%
TURNS RATIO	(4-2):(6-5)	5:1, ±1%
TURNS RATIO	(4-2):(8-10)	4:1, ±1%
TURNS RATIO	(4-2):(9-11)	4:1, ±1%



GENERAL SPECIFICATIONS:

OPERATING TEMPERATURE RANGE: -40°C to +125°C including temp rise.

Designed to comply with the following requirements as defined by IEC61558-2-16, Amendment 1:

- Reinforced insulation for a primary circuit at a working voltage of 400VDC.

Wire insulation & RoHS status not affected by wire color.
 Wire insulation color may vary depending on availability.

REV.	DATE	Packaging Specifications Method: Tray PKG-0872 www.we-online.com/midcom		Tolerances unless otherwise specified: Angles: $\pm 1^\circ$ Fractions: $\pm 1/64$	Decimals: $\pm .005$ [.13] Footprint: $\pm .001$ [.03]	DRAWING TITLE TRANSFORMER	PART NO. 750811344
6A	12/15	SEE REVISION SHEET FOR REVISION LEVEL		This drawing is dual dimensioned. Dimensions in brackets are in millimeters.		eiSos p/n: 750811344	SPECIFICATION SHEET 1 OF 1