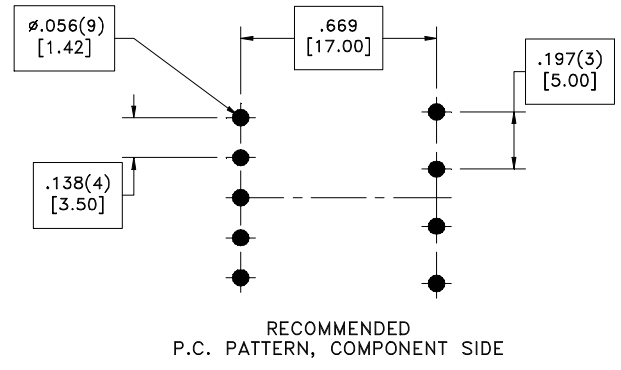
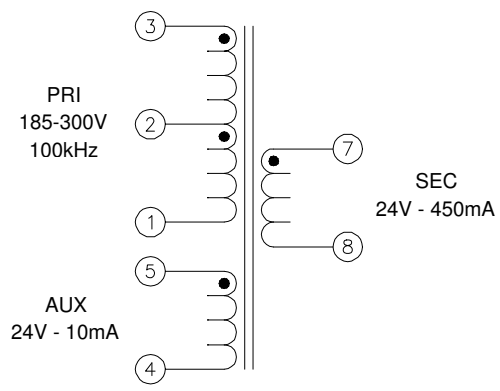
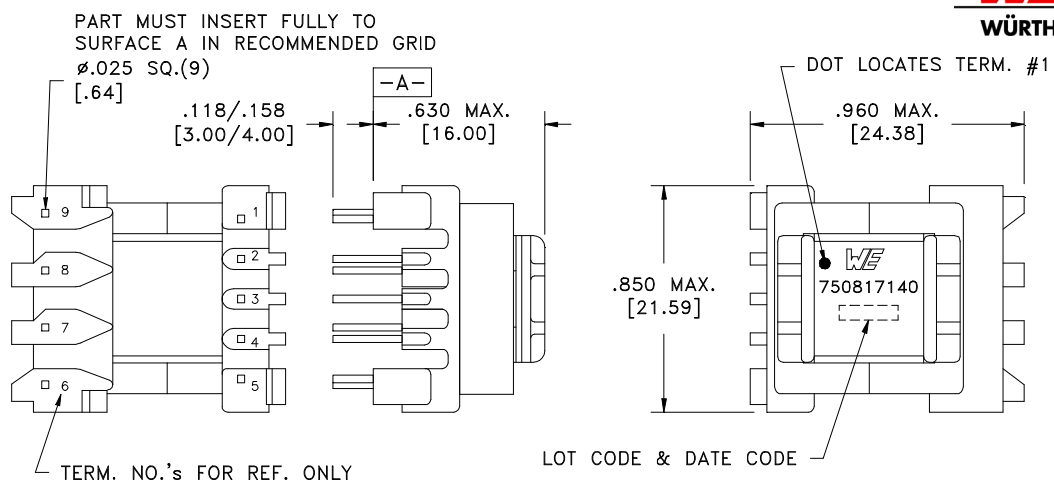


| | | |
|-------------------|------|---------------|
| CUSTOMER TERMINAL | RoHS | LEAD(Pb)-FREE |
| Sn96%, Ag4% | Yes | Yes |



ELECTRICAL SPECIFICATIONS @ 25°C unless otherwise noted:

| | |
|--------------------------|----------------------------------------------------------------------------------------------------------------------------------------------------------|
| D.C. RESISTANCE (@20°C): | 3-1 , 3.22 Ohms $\pm 10\%$. 5-4 , 2.00 Ohms $\pm 10\%$. 7-8 , 0.128 Ohms $\pm 10\%$. |
| DIELECTRIC RATING: | 3000VAC, 1 minute tested by applying 3750VAC for 1 second between pins 1-8. 500VAC, 1 minute tested by applying 625VAC for 1 second between pins 1-5. |
| INDUCTANCE: | 1.70 mH $\pm 10\%$, 10KHz, 100mVAC, 0mADC, 3-1, Ls. |
| SATURATION CURRENT: | 500mA saturating current that causes 20% rolloff from initial inductance. |
| LEAKAGE INDUCTANCE: | 12 μ H typ., 24 μ H max., 100KHz, 100mVAC, 3-1(7+8, 4+5), Ls. |
| URNS RATIO: | (2-1):(3-2), (1):(1.00), $\pm 1\%$. (3-1):(7-8), (5):(1.00), $\pm 1\%$. (3-1):(5-4), (5):(1.00), $\pm 1\%$. |

Designed to comply with reinforced insulation safety standard for a primary circuit with a working voltage upto 300VDC.

OPERATING TEMPERATURE RANGE: -40°C to 125°C including temp. rise.

Wire insulation & RoHS status not affected by wire color. Wire insulation color may vary depending on availability. PC1_0_5280

| | | | | |
|--------------------------------------------------------------------------------------|----------------------------------------------------------------------------------------------------------------------------------------|--|------------------------------------|-------------------|
| WE-Midcom, Inc. Watertown, SD USA Toll Free: 800-643-2661 Fax: 605-886-4486 | Unless otherwise specified, tolerances are as follows: Angles: $\pm 1^\circ$ Fractions: $\pm 1/64$ Decimals: $\pm .005$ (.127mm) | | WE-Midcom, Inc. | |
| | Drawing Title Transformer | | Drawing Number 750817140 | Rev. 00 |
| This drawing is dual dimensioned. Dimensions in brackets are in millimeters | Revisions: See Sheet 1 | | Scale ---- | Sheet 2 of 5 |
| Engineer:ANC | | | 07/06/2011 | |