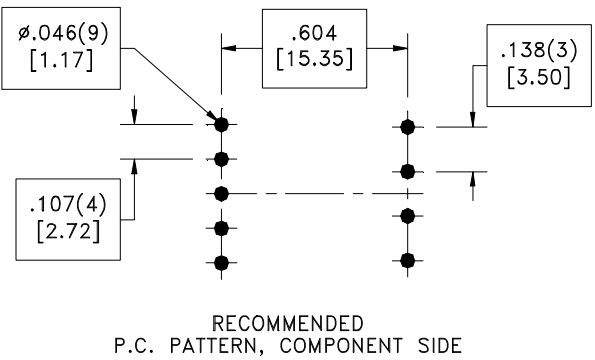
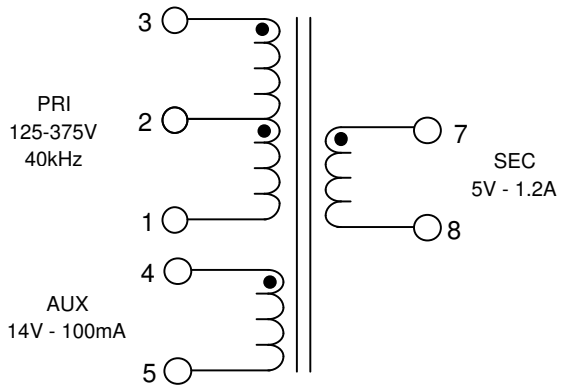
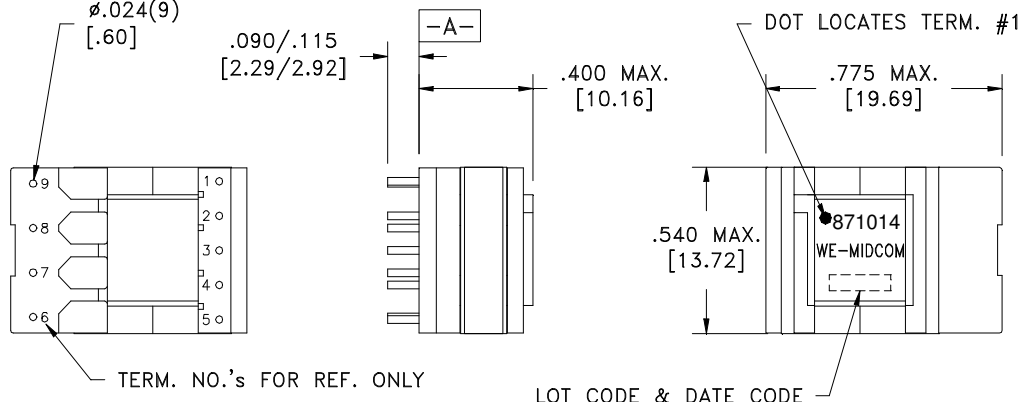


CUSTOMER TERMINAL	RoHS	LEAD(Pb)-FREE
Sn96%, Ag4%	Yes	Yes



PART MUST INSERT FULLY TO SURFACE A IN RECOMMENDED GRID



ELECTRICAL SPECIFICATIONS @ 25°C unless otherwise noted:

D.C. RESISTANCE (@20°C):	1-3 , 11.28 Ohms $\pm 10\%$.
	4-5 , 0.655 Ohms $\pm 10\%$.
	7-8 , 0.100 Ohms $\pm 20\%$.
DIELECTRIC RATING:	4500VAC, 1 minute tested by applying 4500VAC for 1 second between pins 1-8(tie 3+4).
	500VAC, 1 minute tested by applying 625VAC for 1 second between pins 1-5.
INDUCTANCE:	2.50 mH $\pm 10\%$, 10kHz, 100mVAC, 0mADC, 1-3, Ls.
SATURATION CURRENT:	400mA saturating current that causes 20% rolloff from initial inductance.
LEAKAGE INDUCTANCE:	30 μ H typ., 60 μ H max., 100kHz, 100mVAC, 1-3(tie 4+5, 7+8), Ls.
TURNS RATIO:	(3-1):(7-8) , (15.357):(1) , $\pm 1\%$.
	(3-1):(4-5) , (6.324):(1) , $\pm 1\%$.

Designed to comply with the following requirements as defined by IEC61558-2-17:
 - Reinforced insulation for a primary circuit at a working voltage of 400VDC.

OPERATING TEMPERATURE RANGE: -40°C to 125°C including temp. rise.

T_0_5281

WE-Midcom, Inc. Watertown, SD USA Toll Free: 800-643-2661 Fax: 605-886-4486	Unless otherwise specified, tolerances are as follows: Angles: $\pm 1^\circ$ Fractions: $\pm 1/64$ Decimals: $\pm .005$ (.127mm)		WE-Midcom, Inc.	
	Drawing Title <h1>Transformer</h1>		Drawing Number <h2>750871014</h2>	Rev. 04
Revisions: See Sheet 1		Scale ----	Sheet 2 of 5	
This drawing is dual dimensioned. Dimensions in brackets are in millimeters		Engineer:APS		12/10/2009