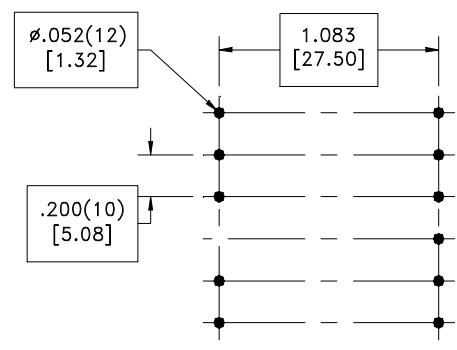
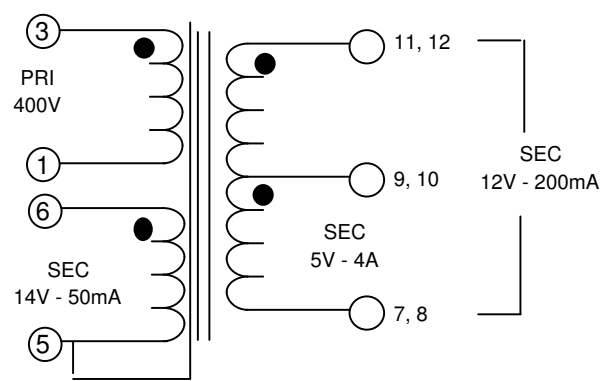
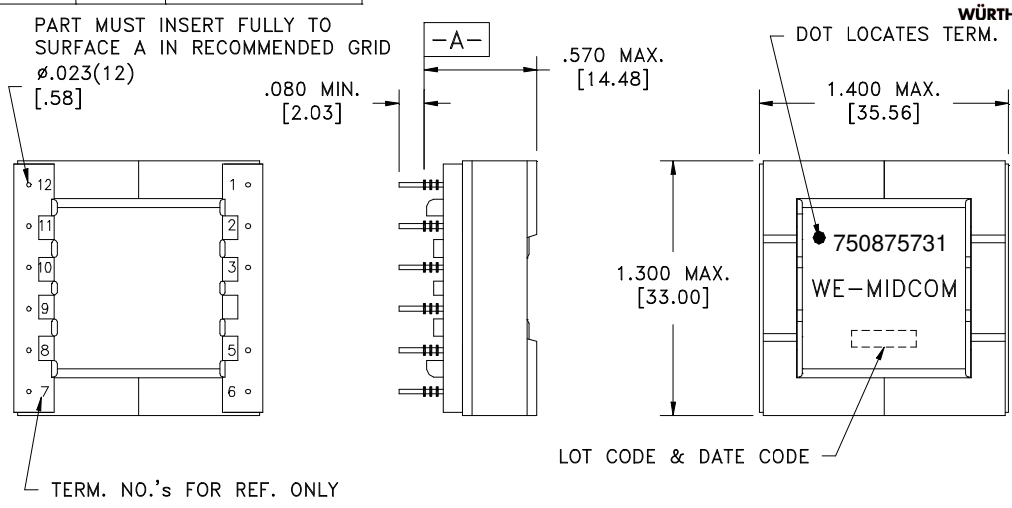


CUSTOMER TERMINAL	RoHS	LEAD(Pb)-FREE
Sn96%, Ag4%	Yes	Yes



ELECTRICAL SPECIFICATIONS @ 25°C unless otherwise noted:

D.C. RESISTANCE (@20°C):	1-3 , 1.40 Ohms max. 5-6 , 1.20 Ohms max. 7-9 (7+8,9+10), 0.017 Ohms max. 9-11 (9+10,11+12), 0.030 Ohms max.
DIELECTRIC RATING:	2400VAC, 1 minute tested by applying 3000VAC for 1 second between pins 3-12(1+6). 1500VAC, 1 minute tested by applying 1875VAC for 1 second between pins 3-6.
INDUCTANCE:	650 μ H \pm 10%, 100kHz, 100mVAC, 0mADC, 1-3, Ls. 544 μ H min., 100kHz, 100mVAC, 2.8ADC, 1-3, Ls.
LEAKAGE INDUCTANCE:	15.0 μ H typ, 20.0 μ H max, 100kHz, 100mVAC, 1-3(7+8+9+10+11+12), Ls.
TURNS RATIO:	(3-1):(9-7), (15.00):(1.00), tie(7+8,9+10), \pm 1%. (3-1):(12-10), (11.25):(1.00), tie(9+10,11+12), \pm 1%. (3-1):(6-5), (5.63):(1.00), \pm 1%.

OPERATING TEMPERATURE RANGE: -40°C to 125°C including temp. rise.

WE-Midcom, Inc. Watertown, SD USA Toll Free: 800-643-2661 Fax: 605-886-4486	Unless otherwise specified, tolerances are as follows: Angles: $\pm 1^\circ$ Fractions: $\pm 1/64$ Decimals: $\pm .005(.127\text{mm})$		WE-Midcom, Inc.	
	Drawing Title Transformer		Drawing Number 750875731	Rev. 01
Revisions: See Sheet 1		Scale ----	Sheet 2 of 5	
Engineer:PLP			07/15/2009	

This drawing is dual dimensioned.
Dimensions in brackets are in millimeters