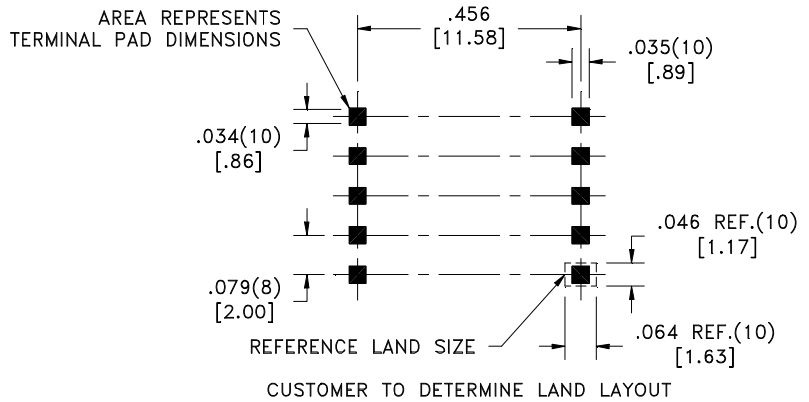
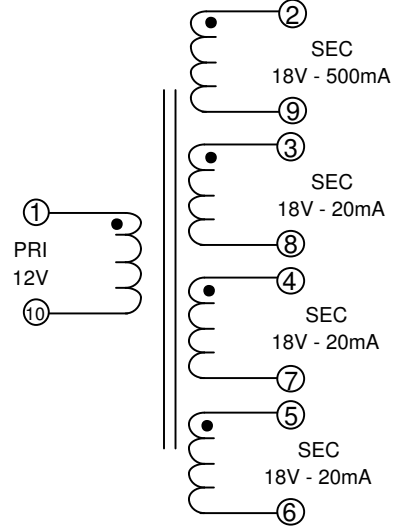
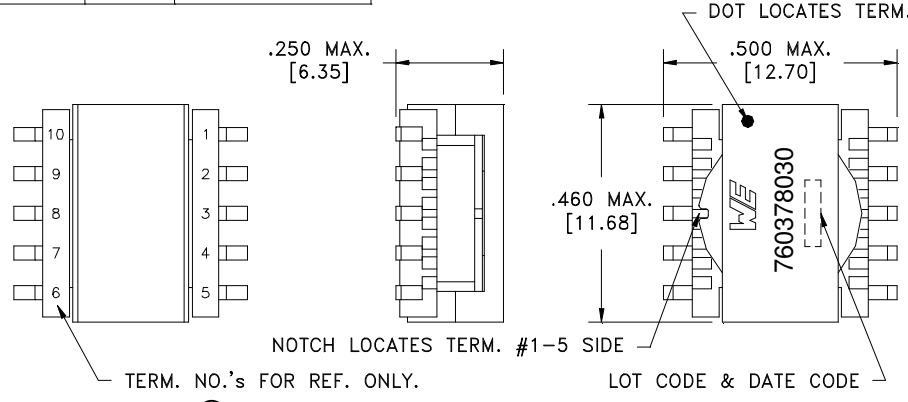


CUSTOMER TERMINAL	RoHS	LEAD(Pb)-FREE
Sn96%, Ag4%	Yes	Yes



ELECTRICAL SPECIFICATIONS @ 25°C unless otherwise noted:

- D.C. RESISTANCE (@20°C):
- 1-10 , 0.320 Ohms max.
 - 2-9 , 0.350 Ohms max.
 - 3-8 , 0.380 Ohms max.
 - 4-7 , 0.430 Ohms max.
 - 5-6 , 0.465 Ohms max.
- DIELECTRIC RATING:
- 1500VAC, 1 minute tested by applying 1875VAC for 1 second between pins 1-9.
 - 1500VAC, 1 minute tested by applying 1875VAC for 1 second between pins 1-8.
 - 1500VAC, 1 minute tested by applying 1875VAC for 1 second between pins 1-7.
 - 1500VAC, 1 minute tested by applying 1875VAC for 1 second between pins 1-6.
- INDUCTANCE:
- 50.00µH ±10%, 100kHz, 100mVAC, 0mADC, 1-10, Ls.
- SATURATION CURRENT:
- 1.0A saturating current that causes 20% rolloff from initial inductance.
- LEAKAGE INDUCTANCE:
- 1.0µH typ., 2.0µH max., 100kHz, 100mVAC, 1-10(2+6,3+9,4+8,5+7), Ls.
- TURNS RATIO:
- (1-10):(2-9), (1):(1.00), ±1%.
 - (1-10):(3-8), (1):(1.00), ±1%.
 - (1-10):(4-7), (1):(1.00), ±1%.
 - (1-10):(5-6), (1):(1.00), ±1%.

Wire insulation & RoHS status not affected by wire color. Wire insulation color may vary depending on availability.

WE-Midcom, Inc. Watertown, SD USA Toll Free: 800-643-2661 Fax: 605-886-4486	Unless otherwise specified, tolerances are as follows: Angles: ±1° Fractions: ±1/64 Decimals: ±.005(.127mm)		WE-Midcom, Inc.	
	Drawing Title <h1 style="text-align: center;">Transformer</h1>		Drawing Number <h2 style="text-align: center;">760378030</h2>	Rev. <h2 style="text-align: center;">00</h2>
This drawing is dual dimensioned. Dimensions in brackets are in millimeters	Revisions: See Sheet 1		Scale ----	Spec Sheet 1 of 1
Engineer:PLP			04/05/2012	