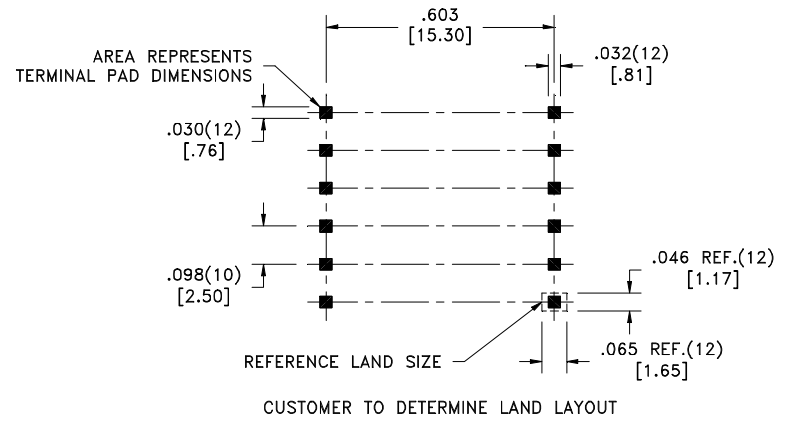
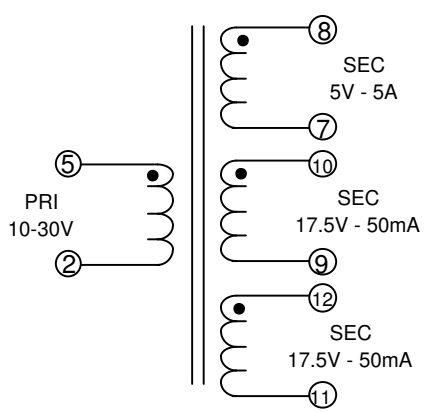
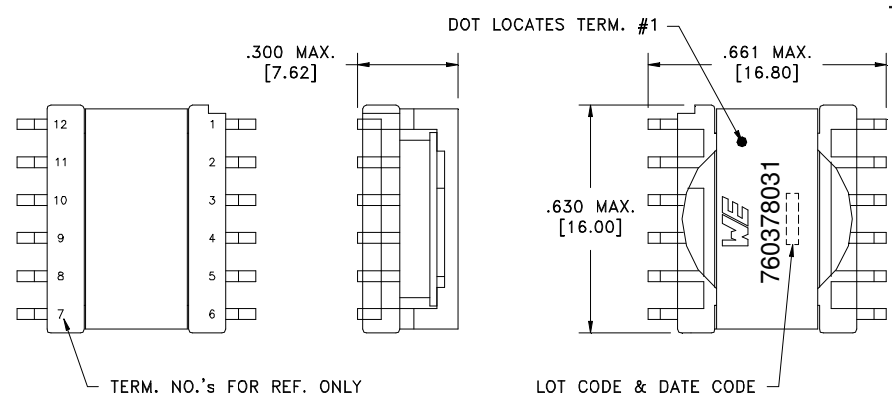


CUSTOMER TERMINAL	RoHS	LEAD(Pb)-FREE
Sn96%, Ag4%	Yes	Yes



**ELECTRICAL SPECIFICATIONS @ 25°C unless otherwise noted:**

- D.C. RESISTANCE (@20°C):  
 2-5 , 0.085 Ohms max.  
 8-7 , 0.040 Ohms max.  
 9-10 , 1.25 Ohms max.  
 11-12 , 1.35 Ohms max.
- DIELECTRIC RATING:  
 1500VAC, 1 minute tested by applying 1875VAC for 1 second between pins 5-8.  
 1500VAC, 1 minute tested by applying 1875VAC for 1 second between pins 5-10.  
 1500VAC, 1 minute tested by applying 1875VAC for 1 second between pins 5-12.
- INDUCTANCE:  
 18.00µH ±10%, 100kHz, 100mVAC, 0mADC, 2-5, Ls.
- SATURATION CURRENT:  
 4.5A saturating current that causes 20% rolloff from initial inductance.
- LEAKAGE INDUCTANCE:  
 500nH typ., 1.0µH max., 100kHz, 10mVAC, 2-5(7+8+9+10+11+12), Ls.
- TURNS RATIO:  
 ( 10-9 ):( 5-3 ) , ( 1 ):(1.00) , ±1%.  
 ( 12-11 ):( 5-3 ) , ( 1 ):(1.00) , ±1%.  
 ( 8-7 ):( 5-3 ) , ( 1 ):(1.00) , ±1%.  
 ( 3-2 ):( 5-3 ) , ( 1 ):(1.00) , ±1%.

Wire insulation & RoHS status not affected by wire color. Wire insulation color may vary depending on availability.

<b>WE-Midcom, Inc.</b> Watertown, SD USA Toll Free: 800-643-2661 Fax: 605-886-4486	Unless otherwise specified, tolerances are as follows: Angles: ±1°      Fractions: ±1/64 Decimals: ±.005 (.127mm)		<b>WE-Midcom, Inc.</b>	
	Drawing Title <h1>Transformer</h1>		Drawing Number <h2>760378031</h2>	Rev. 00
Revisions: See Sheet 1		Scale ----	Spec Sheet 1 of 1	
Engineer:PLP		04/05/2012		

This drawing is dual dimensioned.  
 Dimensions in brackets are in millimeters