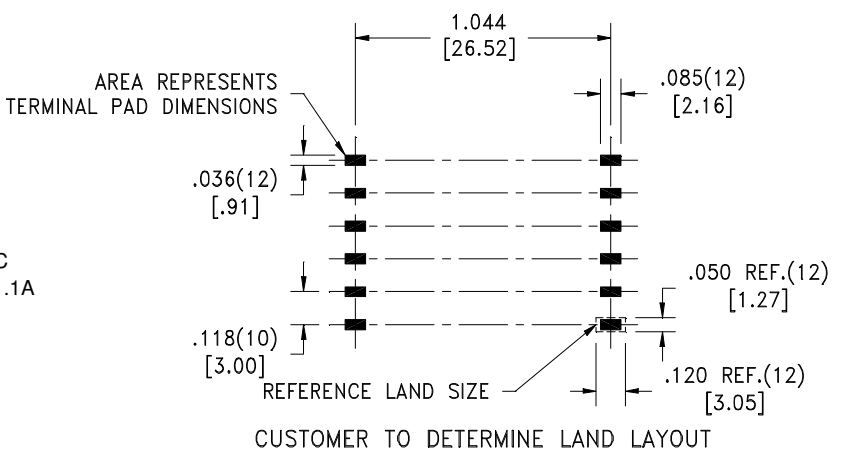
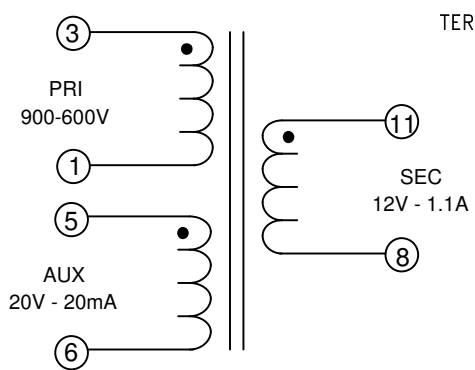
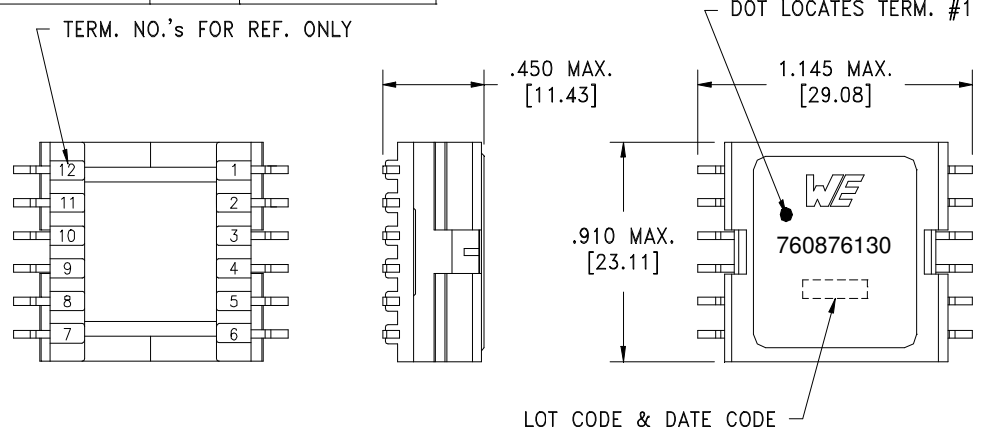


CUSTOMER TERMINAL	RoHS	LEAD(Pb)-FREE
Sn96%, Ag4%	Yes	Yes



ELECTRICAL SPECIFICATIONS @ 25°C unless otherwise noted:

D.C. RESISTANCE (@20°C):	1-3 , 1.80 Ohms ±10%. 5-6 , 1.77 Ohms ±10%. 8-11 , 0.120 Ohms ±10%.
DIELECTRIC RATING:	1500VAC, 1 minute tested by applying 1500VAC for 1 second between pins 3-11(1+5). 1000VAC, 1 minute tested by applying 1250VAC for 1 second between pins 3-5.
INDUCTANCE:	1.00 mH ±10%, 10kHz, 100mVAC, 0mADC, 1-3, Ls.
SATURATION CURRENT:	1.0A saturating current that causes 20% rolloff from initial inductance.
LEAKAGE INDUCTANCE:	10.0µH typ., 20.0µH max., 100kHz, 100mVAC, 1-3(5+6,8+11), Ls.
URNS RATIO:	(3-1):(11-8) , (6.4):(1.00) , ±1%. (3-1):(5-6) , (4):(1.00) , ±1%. (3-2):(2-1) , (1):(1.00) , ±1%.

Designed to comply with the following requirements as defined by IEC60950-1, EN60950-1, UL60950-1/CSA60950-1 and AS/NZS60950.1:
- Functional insulation.

Wire insulation & RoHS status not affected by wire color. Wire insulation color may vary depending on availability.

WE-Midcom, Inc. Watertown, SD USA Toll Free: 800-643-2661 Fax: 605-886-4486	Unless otherwise specified, tolerances are as follows: Angles: ±1° Fractions: ±1/64 Decimals: ±.005(.127mm)		WE-Midcom, Inc.	
	Drawing Title <h1>Transformer</h1>		Drawing Number <h2>760876130</h2>	Rev. 00
This drawing is dual dimensioned. Dimensions in brackets are in millimeters	Revisions: See Sheet 1		Scale ----	Spec Sheet 1 of 1
Engineer:PLP			04/05/2012	