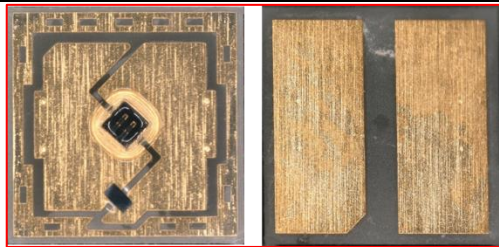
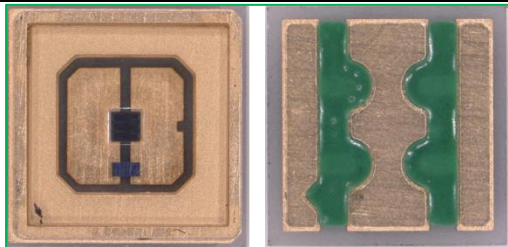
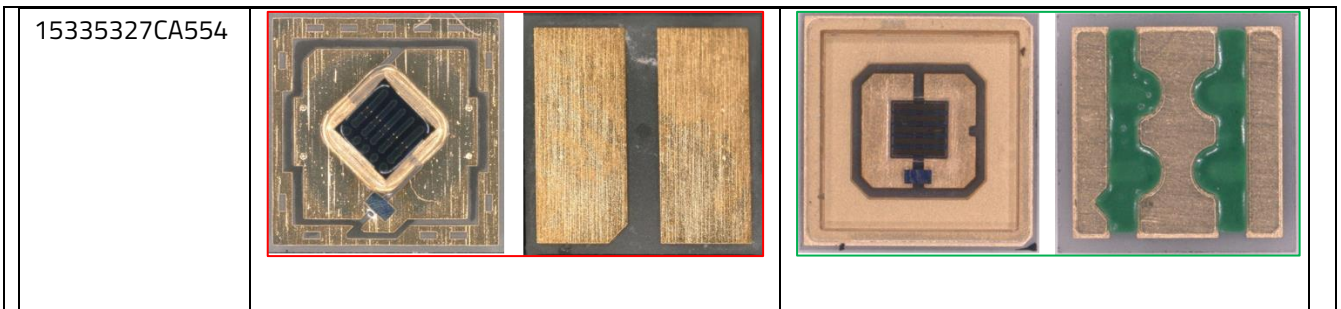


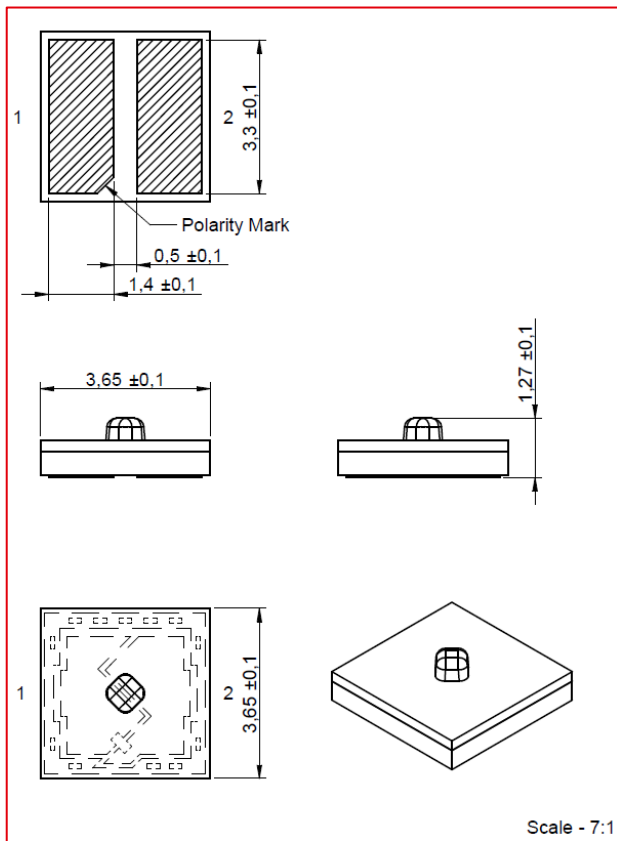
<b>Product/Process Change Notice (PCN)</b>		
<input checked="" type="checkbox"/> Major Change <input type="checkbox"/> Minor Change		
<b>PCN Number:</b> PCN_WL-SUMW_20250201  <b>Affected Series:</b> WL-SUMW  <b>Affected Part Number:</b> 15335327CA452, 15335327CA554  <b>PCN Date:</b> 2024-11-01 (YYYY-MM-DD) <b>Effective Date:</b> 2025-02-01 (YYYY-MM-DD)	<b>Change Category:</b> <input checked="" type="checkbox"/> Equipment/Location <input type="checkbox"/> General Data <input checked="" type="checkbox"/> Material <input type="checkbox"/> Process <input checked="" type="checkbox"/> Product Design <input checked="" type="checkbox"/> Shipping/Packaging <input checked="" type="checkbox"/> Supplier <input type="checkbox"/> Software	
<b>Contact:</b> Product Management  <b>Phone:</b> +49 (0) 7942 - 945 5001  <b>Fax:</b> +49 (0) 7942 - 945 5179  <b>E-Mail:</b> pcn.eisos@we-online.com	<b>Datasheet Change:</b> <input checked="" type="checkbox"/> Yes <input type="checkbox"/> No  <b>Attachment:</b> <input type="checkbox"/> Yes <input checked="" type="checkbox"/> No	
<b>DESCRIPTION OF CHANGE:</b> In line with internal standardisation, Würth Elektronik eiSos will update the product package. There will be no change in function, quality or reliability of the product. The new revision of the affected order codes will be sent out after the previous revision is out of stock (according to FIFO - first-in, first-out).		
<b>Details of Change:</b>		
	<b>Before Change</b>	<b>After Change</b>
Product details	3.65x3.65x1.27 mm, 2 pads	3.7x3.7x1.8 mm, 3 pads
Viewing angle:	15335327CA452: 140° 15335327CA554: 150°	120°
Packaging Quantity:	15335327CA452: 500 pcs 15335327CA554: 250 pcs	1000 pcs
Picture: 15335327CA452		



**Product dimension change:**

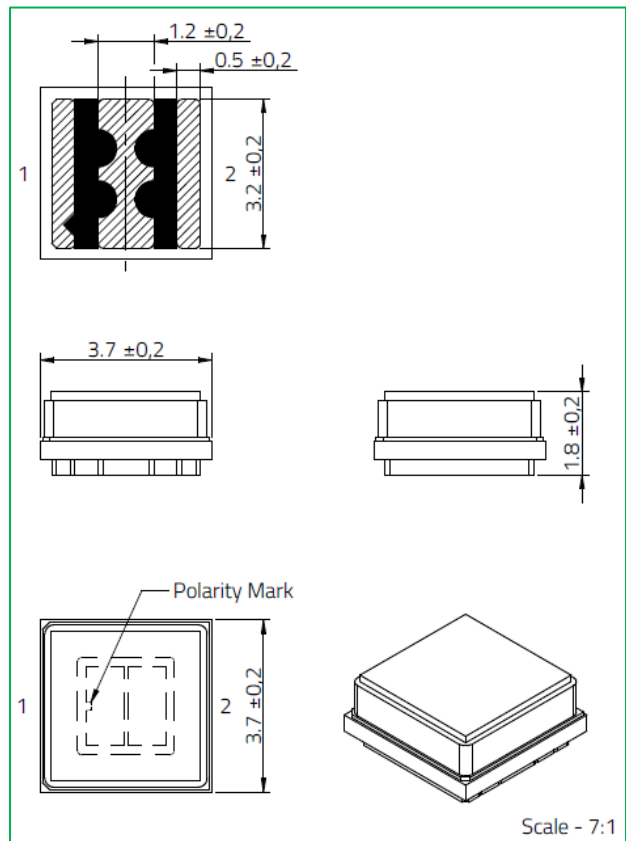
**Before Change**

**15335327CA452**

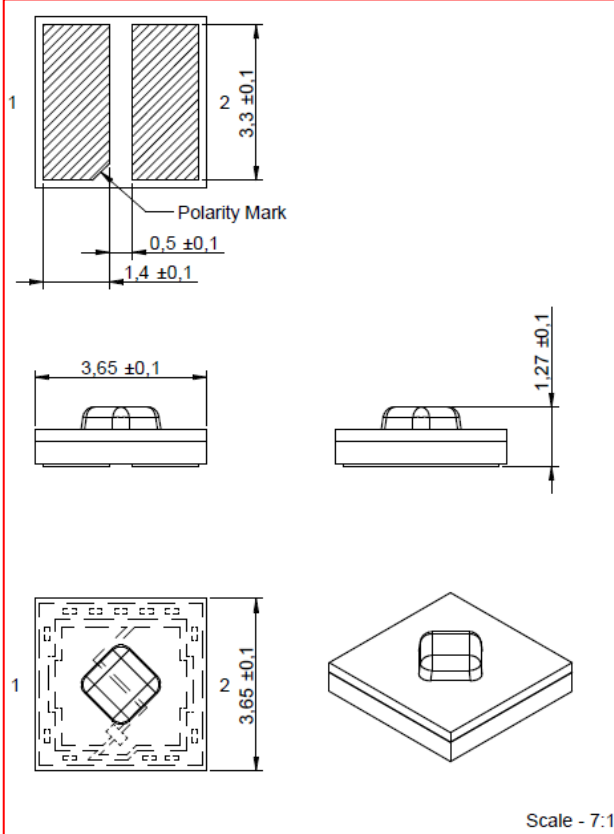


**After Change**

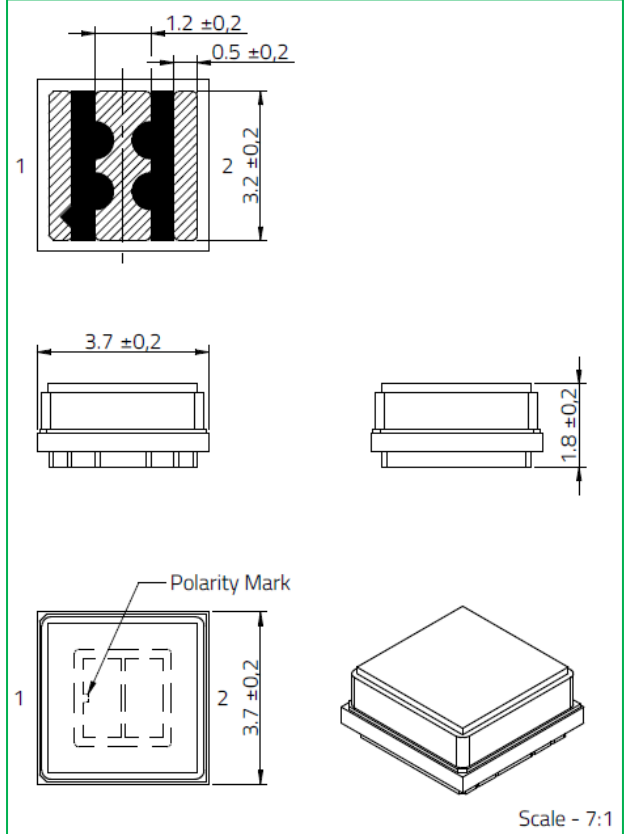
**15335327CA452**



**15335327CA554**

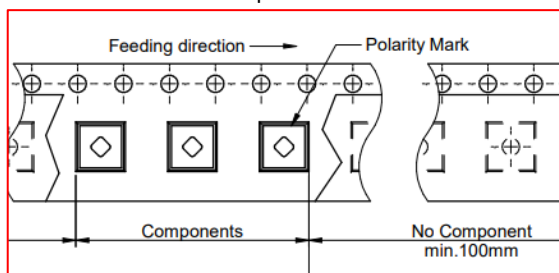


**15335327CA554**

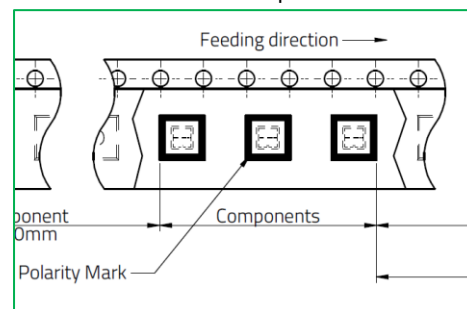


**Packaging drawing change:**

15335327CA452: 500pcs  
 15335327CA554: 250pcs



15335327CA452: 1000pcs  
 15335327CA554: 1000pcs





**RELIABILITY / QUALIFICATION OF CHANGE:**

Product approval is according to the specification criteria and is internally released by the Product Management Department.

An additional reliability testing was performed and approved. Additional details of the tests can be found in the table below:

Test Item	Sample size	Reference	Test conditions	Acceptance
Resistance to Soldering Heat	30	J-STD-020	260 °C, $t_p \leq 10$ s, 5 times reflow, At least passed 3 times reflow.	Approved
High Temperature Operating Life	30	JESD22-A108	Test duration: 1000 hrs Temperature: 85 °C Operation at typical current according to Datasheet	Approved
Thermal Shock	30	MIL-STD-202 Method 107	Temperature: -40 °C/+125 °C or individual specified operating temperature Dwell time: 30 minutes. Cycles: 40 Transfer time: max. 20 s.	Approved