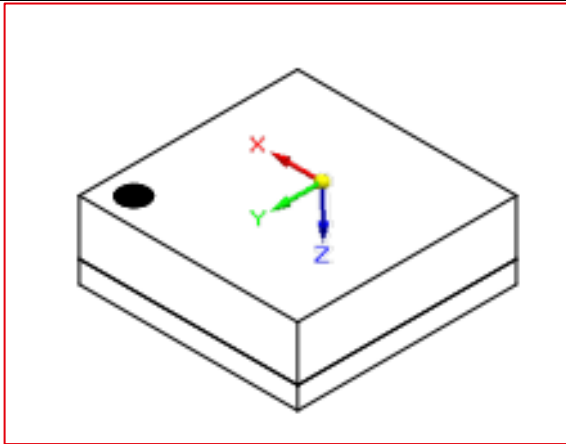
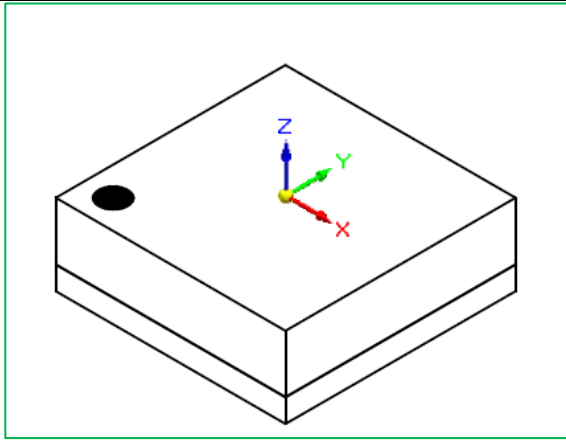




<h2>Product / Process Change Notification (PCN)</h2>	
<input type="checkbox"/> Major Change <input checked="" type="checkbox"/> Minor Change	
<b>PCN Number:</b> PCN_WSEN-ITDS_20241120  <b>Affected Series:</b> WSEN-ITDS  <b>Affected Order Codes:</b> 2533020201601, 25330202016011  <b>PCN Date:</b> 2024-08-20 (YYYY-MM-DD) <b>Effective Date:</b> 2024-11-20 (YYYY-MM-DD)	<b>Change Category:</b> <input type="checkbox"/> Equipment/Location <input checked="" type="checkbox"/> General Data <input type="checkbox"/> Material <input type="checkbox"/> Process <input type="checkbox"/> Product Design <input type="checkbox"/> Shipping/Packaging <input type="checkbox"/> Supplier <input type="checkbox"/> Software
<b>Contact:</b> Product Management <b>Phone:</b> +49 (0) 7942 - 945 5001 <b>Fax:</b> +49 (0) 7942 - 945 5179 <b>E-Mail:</b> pcn.eisos@we-online.com	<b>Datasheet Change:</b> <input checked="" type="checkbox"/> Yes <input type="checkbox"/> No  <b>Attachment:</b> <input type="checkbox"/> Yes <input checked="" type="checkbox"/> No
<b>Description of Change:</b>  <p>As a datasheet information amendment, Würth Elektronik eiSos will update the following:</p> <ul style="list-style-type: none"> <li>Figure showing the sensing axes of the sensor is corrected.</li> <li>Footnote No:2 of the table "Acceleration Sensor Specification".</li> </ul> <p>This is a datasheet correction only. There will be no change in form, fit, function, quality or reliability of the product.</p>	

Details of Change:

*Change in figure showing the sensing axes of the sensor:*

Before Change	After Change
	

*An addition to the footnote No:2 of the table "Acceleration Sensor Specification"*

Before Change	After Change
2) Values are after factory calibration and trimming (parts are not soldered on PCB)	2) Values are after factory calibration and trimming (parts are not soldered on PCB). The percentage value represents the percentage of the sensitivity value corresponding to the full scale.

**Reliability / Qualification of Change:**

There will be no change of the product, therefore no additional reliability or qualification testing was performed.