



Product/Process Change Notice (PCN)

- Major Change
 Minor Change

PCN Number: PCN_AsCLUG_20241129

Affected Series: WA-CLUG

Affected Order Codes: see table below

PCN Date: 2024-08-29 (YYYY-MM-DD)

Effective Date: 2024-11-29 (YYYY-MM-DD)

Change Category:

- Equipment/Location
 General Data
 Material
 Process
 Product Design
 Shipping/Packaging
 Supplier
 Software

Contact: Product Management

Phone: +49 (0) 7942 - 945 5001

Fax: +49 (0) 7942 - 945 5179

E-Mail: pcn.eican@we-online.com

Datasheet Change:

- Yes No

Attachment:

- Yes No

Description of Change:

To improve the processability, Würth Elektronik eiSos will update the packaging into standard carton and change the production location from Taiwan to Italy.

Datasheet will be updated with some additional dimension.

There will be no change in form, fit, function, quality or reliability of the product.

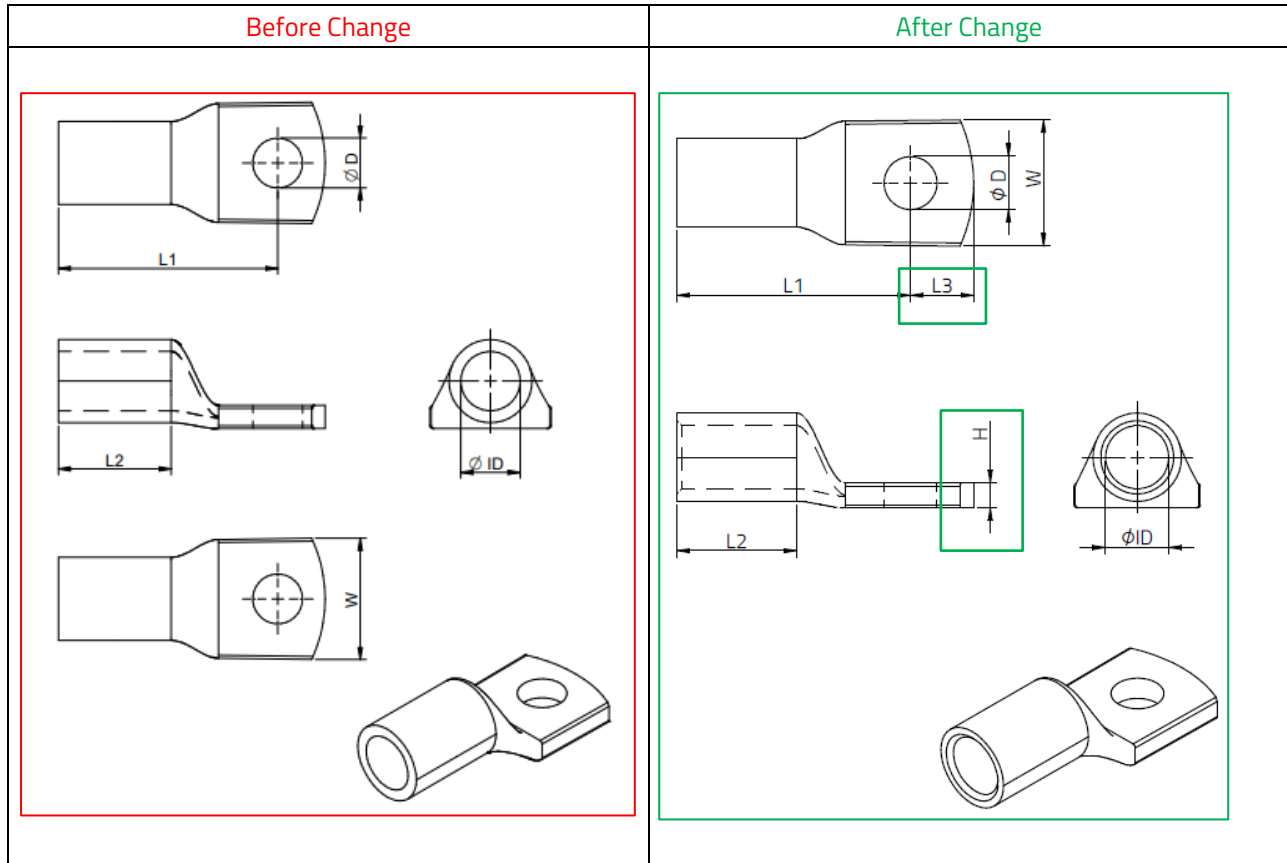
The new revision of the affected order codes will be sent out after the previous revision is out of stock (according to FIFO - first-in, first-out).

Affected order codes:

55803015	55803025	55804025	5580404	5580406
5580506	5580510	5580516	5580606	5580610
5580616	5580625	5580635	5580635S	5580650
5580670	5580810	5580810S	5580816	5580816S
5580825	5580835	5580850	5580870	5581016
5581016S	5581050	5581070	5581095	5581250

Details of Change:

Additional dimension in the datasheet will be added:



The packaging will be changed to a standard packaging to reduce the internal costs of the process:

	Before Change	After Change
Carton Length:	175.00 mm	140.00 mm
Carton Width:	135.00 mm	90.00 mm
Carton Height:	90.00 mm	100.00 mm
Picture:		



The new packaging is smaller than the old, therefore the SPQ will change, see below:

Order Code	SPQ before change	SPQ after Change
55803015	2500	2000
55803025	2500	2000
55804025	2500	2000
5580404	1000	1000
5580406	500	500
5580506	500	500
5580510	500	450
5580516	250	250
5580610	500	450
5580616	300	250
5580625	200	150
5580635	150	100
5580825	200	150
5580835	150	100
5580850	100	80
5580870	60	50
5581050	100	80
5581070	50	50
5581095	50	40

The new production location is marked in the Lot-Nr. as shown:

Already established production location	New production location
Lot number beginning with 299 01 xxx xxxx xxx	Lot number beginning with 680 01 xxx xxxx xxx
Country of origin: Taiwan	Country of origin: Italy

Reliability / Qualification of Change:

There will be no change of the product, therefore no additional reliability or qualification testing will be performed.
 The new packaging was checked according to internal standards.