



Product / Process Change Notification (PCN)

- Major Change
 Minor Change

PCN Number: PCN_ConDSUB_20241208

Affected Series: WR-DSUB

Affected Order Codes: 61800925123

PCN Date: 2024-09-08 (YYYY-MM-DD)

Effective Date: 2024-12-08 (YYYY-MM-DD)

Change Category:

- Equipment/Location
 General Data
 Material
 Process
 Product Design
 Shipping/Packaging
 Supplier
 Software

Contact: Product Management

Phone: +49 (0) 7942 - 945 5001

Fax: +49 (0) 7942 - 945 5179

E-Mail: pcn.eican@we-online.com

Datasheet Change:

Yes No

Attachment:

Yes No

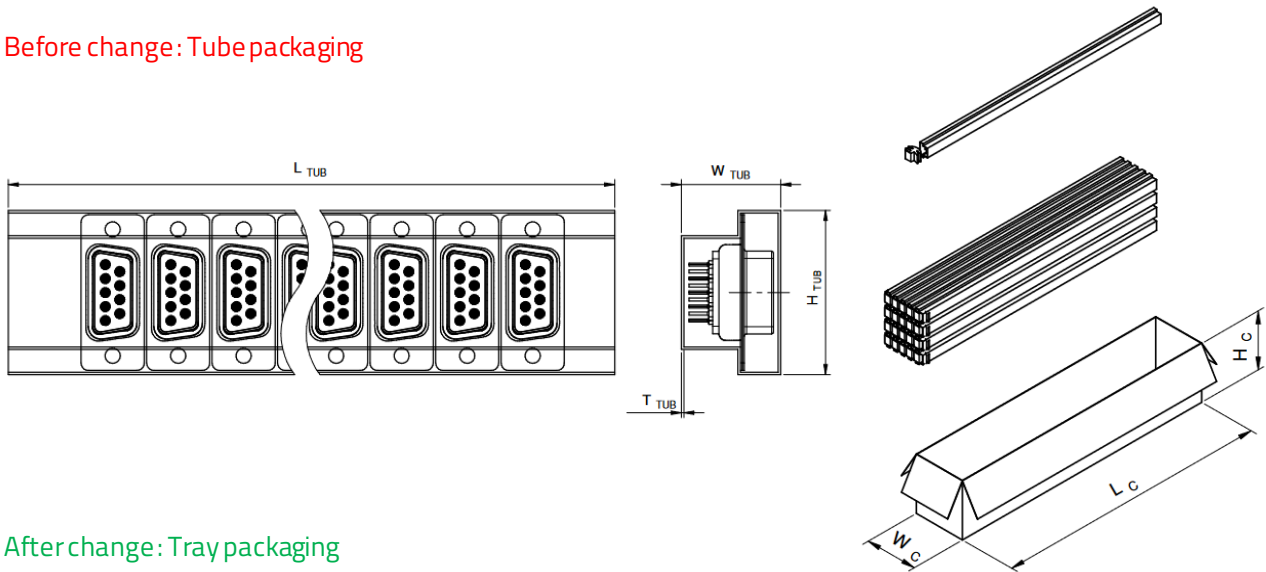
Description of Change:

Due to packaging optimizations, Würth Elektronik eiSos will change the packaging type from tube to tray. There will be no change in form, fit, function, quality or reliability of the product.

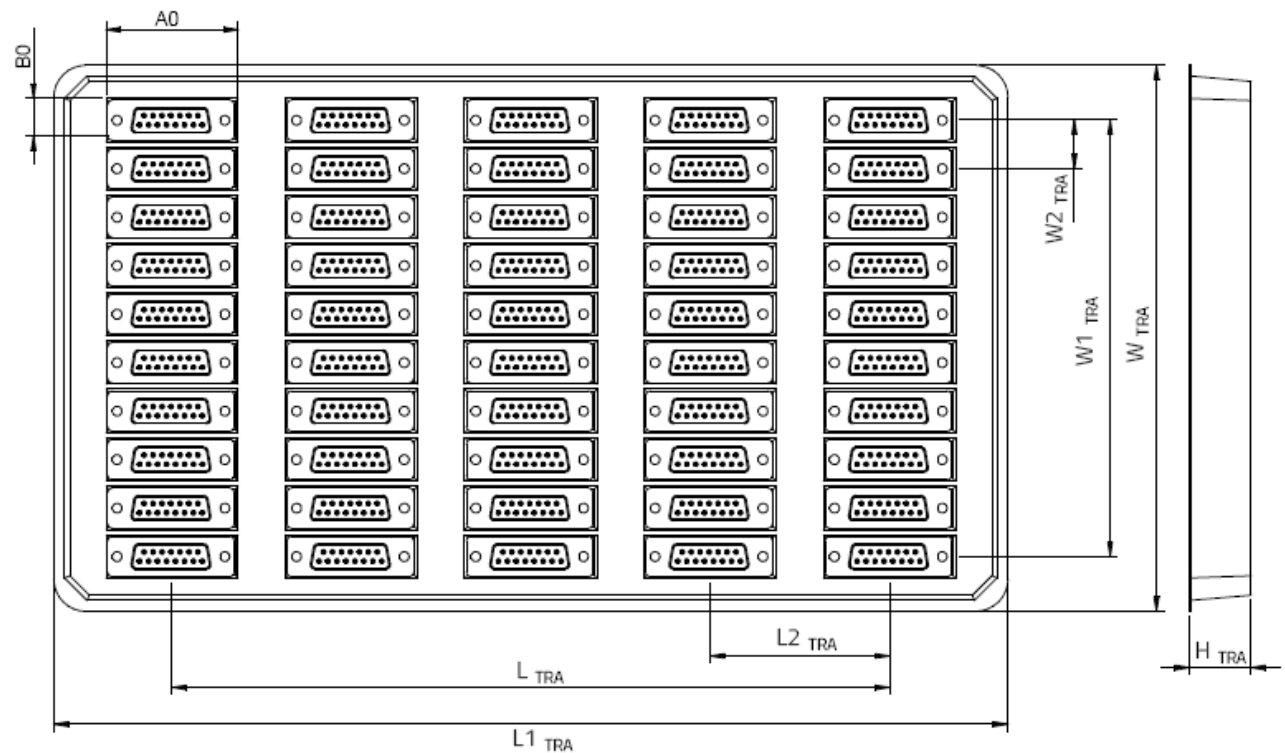
The new revision of the affected order codes will be sent out after the previous revision is out of stock (according to FIFO - first-in, first-out).

Details of Change:

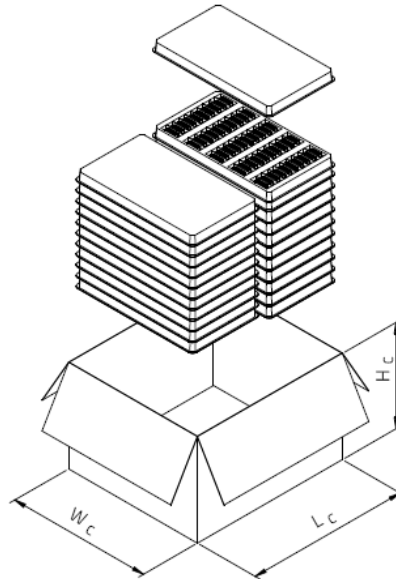
Before change: Tube packaging



After change: Tray packaging



(in mm)	A0	B0	LTRA	L1TRA	L2TRA	WTRA	W1TRA	W2TRA	HTRA
61800925123	19.4	10.7	122.6	186	30.65	174	123.3	13.7	14.35



	Lc	Wc	Hc	SPQ	Qty / carton
Before	650	140	125	48	960
After	360	200	300	50	1500

Reliability / Qualification of Change:

There will be no change of electrical & mechanical parameters of the product, therefore no additional reliability or qualification testing was performed.