

Product / Process Change Notification (PCN)

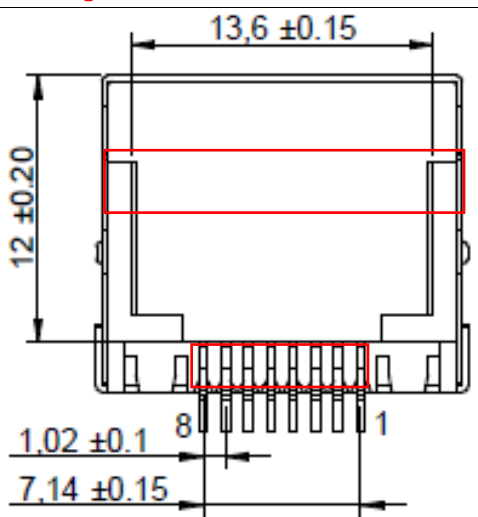
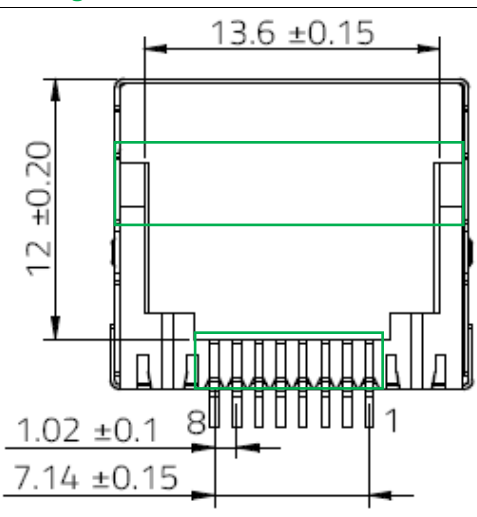
- Major Change
 Minor Change

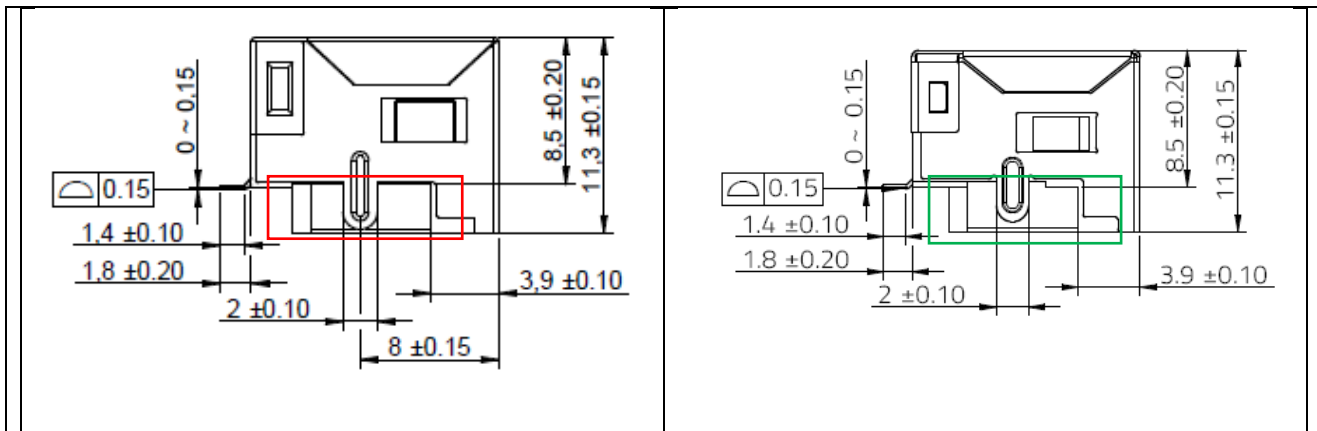
PCN Number: PCN_ConMJ_20241112 Affected Series: WR-MJ Affected Order Codes: 634108150321 PCN Date: 2024-08-12 (YYYY-MM-DD) Effective Date: 2024-11-12 (YYYY-MM-DD)	Change Category: <input type="checkbox"/> Equipment/Location <input checked="" type="checkbox"/> General Data <input type="checkbox"/> Material <input type="checkbox"/> Process <input type="checkbox"/> Product Design <input type="checkbox"/> Shipping/Packaging <input type="checkbox"/> Supplier <input type="checkbox"/> Software
Contact: Product Management Phone: +49 (0) 7942 - 945 5001 Fax: +49 (0) 7942 - 945 5179 E-Mail: pcn.eican@we-online.com	Datasheet Change: <input checked="" type="checkbox"/> Yes <input type="checkbox"/> No Attachment: <input type="checkbox"/> Yes <input checked="" type="checkbox"/> No

Description of Change:

As a datasheet information amendment, Würth Elektronik eiSos is adding additional detail on the product drawing. This is a datasheet correction only. There will be no change in form, fit, function, quality or reliability of the product.

Details of Change:

Before Change	After Change
	



Reliability / Qualification of Change:

There will be no change of the product, therefore no additional reliability or qualification testing was performed.